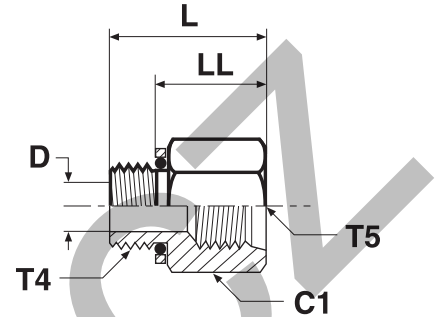


Adapters

**F4OHG5 Male female thread adapter**

Male BSPP thread O-ring + retaining ring (ISO 1179) /  
 Female UN/UNF thread – O-ring (ISO 11926-1)



Thread BSPP T4	Thread UN/UNF-2B T5	C1 mm	D mm	L mm	LL mm	Weight (steel) g/1 piece	Adapter Steel	Adapter Stainless Steel		PN (bar)	
								S	SS	S	SS
1/8-28	7/16-20	17.5	4.4	25	19	27	1/8-4F4OHG5S	1/8-4F4OHMG5SS	350	315	315
1/4-19	7/16-20	19.0	7.5	28	17	40	1/4-4F4OHG5S	1/4-4F4OHMG5SS	350	315	315
1/4-19	9/16-18	20.6	7.5	32	22	45	1/4-6F4OHG5S	1/4-6F4OHMG5SS	350	315	315
3/8-19	9/16-18	22.2	9.9	32	22	70	3/8-6F4OHG5S	3/8-6F4OHMG5SS	350	315	315
3/8-19	3/4-16	25.4	9.9	34	24	73	3/8-8F4OHG5S	3/8-8F4OHMG5SS	350	280	280
1/2-14	7/8-14	28.6	12.3	41	28	111	1/2-10F4OHG5S	1/2-10F4OHMG5SS	240	240	240
3/4-14	1 1/16-12	35.0	15.5	44	32	177	3/4-12F4OHG5S	3/4-12F4OHMG5SS	240	240	240
1-11	1 5/16-12	44.5	21.4	49	33	272	1-16F4OHG5S	1-16F4OHMG5SS	240	210	210
1 1/4-11	1 5/8-12	50.8	27.4	50	33	320	1 1/4-20F4OHG5S	1 1/4-20F4OHMG5SS	140	140	140

Parker Adapter are delivered with NBR elastomeric seals as standard. For more details on other seal materials see page N60.

Order codes shown are part of our current manufacturing programme.

Imperial and metric parts may vary in hexagon dimensions.

$$\frac{\text{PN (bar)}}{10} = \text{PN (MPa)}$$

Do not create drawings from these dimensions, they are subject to change and ISO manufacturing allowances.