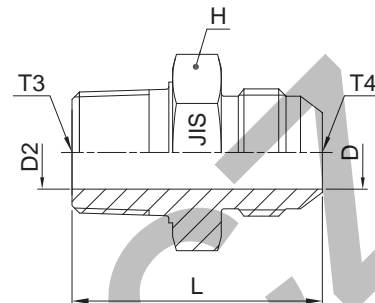


## Adapters

## F3T4 Male stud connector

JIS BSPP 60° cone adapters (JIS B8363) / Male BSPT thread (ISO 7)



Thread BSPP T4	Thread BSPT T3	D mm	D2 mm	H mm	L mm	Weight (steel) g/1 piece	Adapter Steel	Adapter Stainless Steel		PN (bar)		
								S	SS	S	SS	
1/4-19	1/4-19	4.5	4.5	19.0	37	41	<b>4F3T4S</b>	<b>4F3MT4SS</b>	315	315	315	315
1/4-19	3/8-19	4.5	4.5	22.2	38	61	<b>4-6F3T4S</b>	<b>4-6F3MT4SS</b>	315	315	315	315
3/8-19	1/4-19	7.0	7.0	22.2	40	57	<b>6-4F3T4S</b>	<b>6-4F3MT4SS</b>	315	315	315	315
3/8-19	3/8-19	7.0	7.0	22.2	40	66	<b>6F3T4S</b>	<b>6F3MT4SS</b>	315	315	315	315
1/2-14	3/8-19	10.3	10.3	27.0	43	88	<b>8-6F3T4S</b>	<b>8-6F3MT4SS</b>	315	315	315	315
1/2-14	1/2-14	11.0	11.0	27.0	48	105	<b>8F3T4S</b>	<b>8F3MT4SS</b>	315	200	315	200
3/4-14	3/4-14	15.9	15.9	36.5	53	334	<b>12F3T4S</b>	<b>12F3MT4SS</b>	160	160	160	160
1-11	1-11	21.0	21.0	41.3	58	268	<b>16F3T4S</b>	<b>16F3MT4SS</b>	120	120	120	120

Order codes shown are part of our current manufacturing programme.

Imperial and metric parts may vary in hexagon dimensions.

$$\frac{\text{PN (bar)}}{10} = \text{PN (MPa)}$$

Do not create drawings from these dimensions, they are subject to change and ISO manufacturing allowances.