

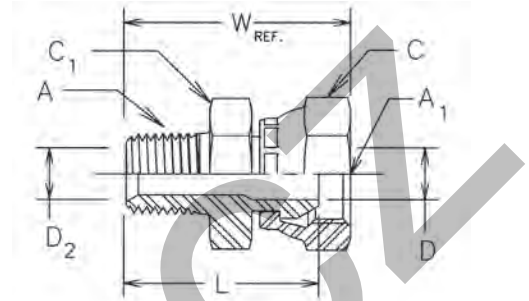
Adapters

0107 Swivel male stud

Male NPTF* thread (SAE J476) / NPSM Female swivel end (SAE J516)

SAE 140130

*Stainless Steel = NPT to prevent galling



Thread NPTF A	Thread NPSM A1	C mm	C1 mm	D mm	D2 mm	L mm	W mm	Weight (steel) g/1 piece	Adapter Steel	Adapter Stainless Steel		PN (bar)		
										S	SS	S	SS	
1/8-27	1/8-27	14.3	14.3	4.0	4.8	24	28	23	0107-2-2	0107-2-2-SS	350	350		
1/8-27	1/4-18	17.5	16.0	4.8	4.8	27	32	33	0107-2-4	0107-2-4-SS	350	350		
1/4-18	1/4-18	17.5	17.5	5.6	7.1	32	36	40	0107-4-4	0107-4-4-SS	350	350		
1/4-18	3/8-18	22.2	20.6	7.1	7.1	32	37	57	0107-4-6	0107-4-6-SS	280	280		
1/4-18	1/2-14	25.4	23.8	11.9	7.1	37	44	91	0107-4-8	0107-4-8-SS	245	245		
3/8-18	1/4-18	17.5	17.5	5.6	10.3	33	38	48	0107-6-4	0107-6-4-SS	350	350		
3/8-18	3/8-18	22.2	22.2	8.7	10.3	33	38	62	0107-6-6	0107-6-6-SS	280	280		
3/8-18	1/2-14	25.4	23.8	10.3	10.3	37	44	97	0107-6-8	0107-6-8-SS	245	245		
1/2-14	3/8-18	22.2	22.2	8.7	13.5	38	43	76	0107-8-6	0107-8-6-SS	280	280		
1/2-14	1/2-14	25.4	25.4	11.9	13.5	41	49	109	0107-8-8	0107-8-8-SS	245	245		
1/2-14	3/4-14	31.8	31.8	13.5	13.5	43	52	167	0107-8-12	0107-8-12-SS	140	140		
3/4-14	1/2-14	25.4	28.6	11.9	18.3	41	49	122	0107-12-8	0107-12-8-SS	245	245		
3/4-14	3/4-14	31.8	31.8	16.3	18.3	43	52	154	0107-12-12	0107-12-12-SS	140	140		
3/4-14	1-11.5	38.0	38.0	21.4	18.3	46	55	247	0107-12-16	0107-12-16-SS	120	120		
1-11.5	3/4-14	31.8	35.0	16.3	23.8	49	58	217	0107-16-12	0107-16-12-SS	140	140		
1-11.5	1-11.5	38.0	38.0	21.4	23.8	51	60	238	0107-16-16	0107-16-16-SS	120	120		
1-11.5	1 1/4-11.5	47.6	44.5	29.0	23.8	51	61	298	0107-16-20	0107-16-20-SS	120	120		
1 1/4-11.5	1-11.5	38.0	47.6	21.4	31.8	53	63	356	0107-20-16	0107-20-16-SS	120	120		
1 1/4-11.5	1 1/4-11.5	47.6	47.6	29.0	31.8	53	63	390	0107-20-20	0107-20-20-SS	120	120		
1 1/2-11.5	1 1/2-11.5	54.0	54.0	34.5	38.1	56	66	498	0107-24-24	0107-24-24-SS	85	85		
2-11.5	2-11.5	66.7	66.7	46.1	49.2	60	71	749	0107-32-32	0107-32-32-SS	75	75		

Order codes shown are part of our current manufacturing programme.

Imperial and metric parts may vary in hexagon dimensions.

$$\frac{\text{PN (bar)}}{10} = \text{PN (MPa)}$$

Do not create drawings from these dimensions, they are subject to change and ISO manufacturing allowances.