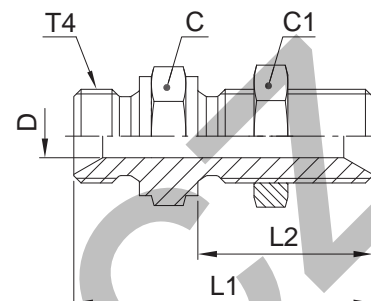


## WMK4WL4NM Bulkhead union

BSPP 60° Cone end (ISO 8434-6)

\*Supplied with locknut



Thread BSPP T4	L1 mm	L2 mm	C mm	C1 mm	D mm	Weight (steel) g/1 piece	Adapter Steel	Adapter Stainless Steel	PN (bar)	
									S	SS
1/4-19	49	28	19	19	4.7	57	4WMK4WL4NMS	4WMK4WL4NMSS	350	350
3/8-19	55	32	22	22	7.9	84	6WMK4WL4NMS	6WMK4WL4NMSS	350	350
1/2-14	62	35	27	27	11.1	122	8WMK4WL4NMS	8WMK4WL4NMSS	200	200
5/8-14	64	35	30	30	14.3	146	10WMK4WL4NMS	10WMK4WL4NMSS	200	200
3/4-14	67	38	32	36	16.7	209	12WMK4WL4NMS	12WMK4WL4NMSS	200	200
1-11	74	41	41	41	22.2	328	16WMK4WL4NMS	16WMK4WL4NMSS	120	120
1 1/4-11	85	44	50	50	28.6	507	20WMK4WL4NMS	20WMK4WL4NMSS	105	105
1 1/2-11	93	48	55	55	33.3	609	24WMK4WL4NMS	24WMK4WL4NMSS	105	105

Order codes shown are part of our current manufacturing programme.

Imperial and metric parts may vary in hexagon dimensions.

For the version without locknut, please delete "WL4NM" (e.g. 16WMK4)

$\frac{\text{PN (bar)}}{10} = \text{PN (MPa)}$

Do not create drawings from these dimensions, they are subject to change and ISO manufacturing allowances.

### Maximum bulkhead wallthickness

Thread BSPP	Bulkhead union Max. thickness mm
1/4	9.5
3/8	12.5
1/2	12.4
5/8	10.8
3/4	13.4
1	10.1
1 1/4	12.1
1 1/2	14.1