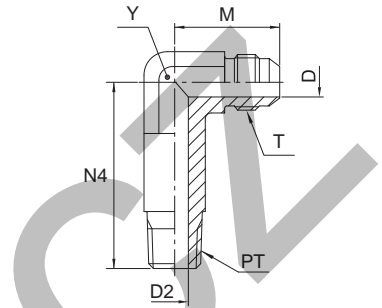


**CCCTX Extended male stud elbow**

Triple-Lok® 37° Flare end / Male NPTF\* thread (SAE 476)  
SAE 071602

\*Stainless Steel = NPT to prevent galling



Tube O.D.		Thread NPT/NPTF PT	Thread UN/UNF-2A T	D mm	D2 mm	M mm	N4 mm	Y mm	Weight (steel) g/1 piece	Triple-Lok® Steel	PN (bar)
mm	in.										
6	1/4	1/8-27	7/16-20	4.4	4.8	23	40	11	32	<b>4 CCCTX-S</b>	420
6	1/4	1/4-18	7/16-20	4.4	7.0	27	53	14	32	<b>4-4 CCCTX-S</b>	420
8	5/16	1/8-27	1/2-20	6.0	4.8	25	41	14	39	<b>5 CCCTX-S</b>	420
10	3/8	1/4-18	9/16-18	7.5	7.2	27	53	14	72	<b>6 CCCTX-S</b>	420
10	3/8	3/8-18	9/16-18	7.5	10.3	29	59	19	72	<b>6-6 CCCTX-S</b>	420
12	1/2	3/8-18	3/4-16	10.3	9.9	32	59	19	130	<b>8 CCCTX-S</b>	420
12	1/2	1/2-14	3/4-16	9.9	13.5	34	73	22	163	<b>8-8 CCCTX-S</b>	420
14, 15, 16	5/8	1/2-14	7/8-14	12.3	13.5	37	73	22	212	<b>10 CCCTX-S</b>	350
18, 20	3/4	3/4-14	1 1/16-12	15.5	18.3	42	83	27	356	<b>12 CCCTX-S</b>	280
25	1	1-11.5	1 5/16-12	21.4	23.8	46	102	33	520	<b>16 CCCTX-S</b>	210
28, 30, 32	1 1/4	1 1/4-11.5	1 5/8-12	27.4	31.8	52	127	41	1196	<b>20 CCCTX-S</b>	170

Order codes shown are part of our current manufacturing programme.

Imperial and metric parts may vary in hexagon dimensions.

$$\frac{\text{PN (bar)}}{10} = \text{PN (MPa)}$$

Do not create drawings from these dimensions, they are subject to change and ISO manufacturing allowances.