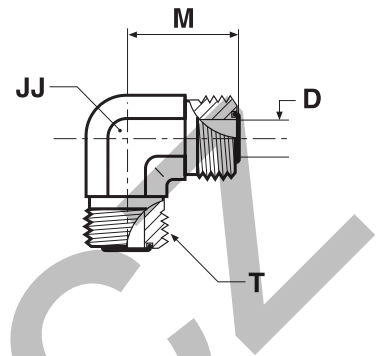


EMLO Union elbow

O-Lok® ORFS tube ends
SAE 520201



Tube O.D.		Thread UN/UNF-2A T	D mm	JJ* mm	M mm	Weight (steel) g/1 piece	O-Lok® Steel	O-Lok® Stainless Steel	PN (bar)	
mm	in.								S	SS
6	1/4	9/16-18	4.5	14	22	47	4 ELO-S	4EMLOSS	630	630
8, 10	5/16, 3/8	11/16-16	6.5	19	25	109	6 ELO-S	6EMLOSS	630	630
12	1/2	13/16-16	9.5	19	28	123	8 ELO-S	8EMLOSS	630	630
14, 15, 16	5/8	1-14	12.5	27	34	183	10 ELO-S	10EMLOSS	420	420
18, 20	3/4	1 3/16-12	15.5	30	38	255	12 ELO-S	12EMLOSS	420	420
22, 25	1	1 7/16-12	20.5	36	42	457	16 ELO-S	16EMLOSS	420	420
28, 30, 32	1 1/4	1 11/16-12	26.0	41	45	530	20 ELO-S	20EMLOSS	350	280
35, 38	1 1/2	2-12	32.0	48	49	687	24 ELO-S	24EMLOSS	280	280

Product delivered with NBR TRAP seal. Replacement of TRAP seal is with a standard NBR O-ring – see page J73-J74.

Part numbers shown are part of our current manufacturing programme.

Imperial and metric parts may vary in hexagon dimensions.

$$\frac{\text{PN (bar)}}{10} = \text{PN (MPa)}$$

Do not create drawings from these dimensions, they are subject to change and ISO manufacturing allowances.

*JJ may vary in stainless steel