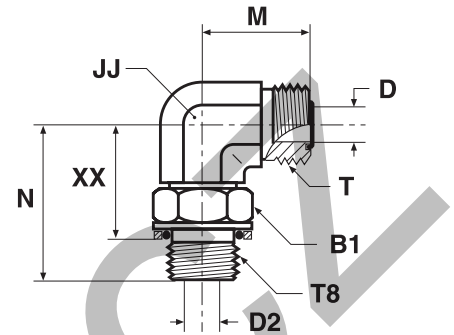


### C8OMLO Male stud elbow

O-Lok® ORFS tube end / Male metric thread – O-ring + retaining ring



Tube O.D. mm	Tube O.D. in.	Thread metric T8	Thread UN/UNF-2A T	B1 mm	D mm	D2 mm	JJ* mm	M mm	N mm	XX mm	Weight (steel) g/1 piece	O-Lok® Steel	PN (bar)
6	1/4	M 12×1.5	9/16-18	17	4.5	4	14	22	33	22	52	<b>4M12C8OMLOS</b>	250
6	1/4	M 14×1.5	9/16-18	17	4.5	6	14	24	36	24	58	<b>4M14C8OMLOS</b>	250
8, 10	3/8	M 14×1.5	11/16-16	17	6.5	6	19	25	36	25	62	<b>6M14C8OMLOS</b>	250
8, 10	3/8	M 16×1.5	11/16-16	19	6.5	7	19	25	38	24	65	<b>6M16C8OMLOS</b>	250
12	1/2	M 16×1.5	13/16-16	19	9.5	7	19	28	38	25	82	<b>8M16C8OMLOS</b>	250
12	1/2	M 18×1.5	13/16-16	22	9.5	9	19	28	41	25	161	<b>8M18C8OMLOS</b>	250
14, 15, 16	5/8	M 18×1.5	1-14	22	12.5	9	27	33	48	32	185	<b>10M18C8OMLOS</b>	250
14, 15, 16	5/8	M 22×1.5	1-14	27	12.5	12	27	33	49	31	214	<b>10M22C8OMLOS</b>	250
18, 20	3/4	M 22×1.5	1 3/16-12	27	15.5	12	30	37	50	31	322	<b>12M22C8OMLOS</b>	250
18, 20	3/4	M 27×2.0	1 3/16-12	32	15.5	15	30	37	56	35	440	<b>12M27C8OMLOS</b>	250
25	1	M 33×2.0	1 7/16-12	38	20.5	20	36	42	59	39	501	<b>16M33C8OMLOS</b>	140
28, 30, 32	1 1/4	M 42×2.0	1 11/16-12	50	26.0	26	41	45	63	42	561	<b>20M42C8OMLOS</b>	140
35, 38	1 1/2	M 48×2.0	2-12	55	32.0	32	50	49	72	47	684	<b>24M48C8OMLOS</b>	140

Product delivered with NBR TRAP seal. Replacement of TRAP seal is with a standard NBR O-ring – see page J73-J74.

Part numbers shown are part of our current manufacturing programme.

Imperial and metric parts may vary in hexagon dimensions.

$$\frac{\text{PN (bar)}}{10} = \text{PN (MPa)}$$

Do not create drawings from these dimensions, they are subject to change and ISO manufacturing allowances.

\*JJ may vary in stainless steel