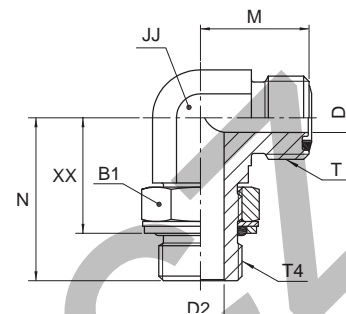


C40MLO Male stud elbow

O-Lok® ORFS tube end / Male BSPP thread O-ring + retaining ring (ISO 1179)



Tube O.D.		Thread BSPP T4	Thread UN/UNF-2A T	B1 mm	D mm	D2 mm	JJ* mm	M mm	N mm	XX mm	Weight (steel) g/1 piece	O-Lok® Steel	O-Lok® Stainless Steel	PN (bar)	
mm	in.													S	SS
6	1/4	1/8-28	9/16-18	14	4.5	4.4	14	22	30	21	49	4C40MLOS	4C40MLOSS	250	250
6	1/4	1/4-19	9/16-18	19	4.5	7.5	19	24	36	25	93	4-4C40MLOS	4-4C40MLOSS	250	200
6	1/4	3/8-19	9/16-18	22	4.5	9.9	19	25	38	27	99	4-6C40MLOS	4-6C40MLOSS	250	200
8, 10	3/8	1/4-19	11/16-16	19	6.5	7.5	19	25	36	25	97	6C40MLOS	6C40MLOSS	250	200
8, 10	3/8	1/8-28	11/16-16	14	6.5	4.4	19	25	32	23	62	6-2C40MLOS	6-2C40MLOSS	250	200
8, 10	3/8	3/8-19	11/16-16	22	6.5	9.9	19	27	38	27	106	6-6C40MLOS	6-6C40MLOSS	250	200
8, 10	3/8	1/2-14	11/16-16	27	6.5	12.3	27	29	49	35	120	6-8C40MLOS	6-8C40MLOSS	250	200
12	1/2	3/8-19	13/16-16	22	9.5	9.9	19	28	38	27	108	8C40MLOS	8C40MLOSS	250	200
12	1/2	1/4-19	13/16-16	19	9.5	7.5	19	28	36	25	99	8-4C40MLOS	8-4C40MLOSS	250	200
12	1/2	1/2-14	13/16-16	27	9.5	12.3	27	31	49	35	239	8-8C40MLOS	8-8C40MLOSS	250	200
12	1/2	3/4-14	13/16-16	36	9.5	15.5	30	34	52	38	258	8-12C40MLOS	8-12C40MLOSS	250	200
14, 15, 16	5/8	1/2-14	1-14	27	12.5	12.3	27	33	49	35	274	10C40MLOS	10C40MLOSS	250	200
14, 15, 16	5/8	3/8-19	1-14	22	12.5	9.9	27	33	43	32	235	10-6C40MLOS	10-6C40MLOSS	250	200
14, 15, 16	5/8	3/4-14	1-14	36	12.5	15.5	30	36	52	38	352	10-12C40MLOS	10-12C40MLOSS	250	200
14, 15, 16	5/8	1-11	1-14	41	12.5	21.5	36	40	58	42	382	10-16C40MLOS	10-16C40MLOSS	250	200
18, 20	3/4	3/4-14	1 3/16-12	36	15.5	15.5	30	37	52	38	355	12C40MLOS	12C40MLOSS	250	200
18, 20	3/4	1/2-14	1 3/16-12	27	15.5	12.3	30	37	50	36	297	12-8C40MLOS	12-8C40MLOSS	250	200
18, 20	3/4	1-11	1 3/16-12	41	15.5	21.5	36	41	58	42	362	12-16C40MLOS	12-16C40MLOSS	250	200
25	1	1-11	1 7/16-12	41	20.5	21.5	36	42	58	42	551	16C40MLOS	16C40MLOSS	250	200
25	1	3/4-14	1 7/16-12	36	20.5	15.5	36	42	55	42	533	16-12C40MLOS	16-12C40MLOSS	250	200
25	1	1 1/4-11	1 7/16-12	50	20.5	27.5	41	45	61	45	758	16-20C40MLOS	16-20C40MLOSS	210	160
28, 30, 32	1 1/4	1 1/4-11	1 11/16-12	50	26.0	27.5	41	45	61	45	752	20C40MLOS	20C40MLOSS	210	160
28, 30, 32	1 1/4	1-11	1 11/16-12	41	26.0	21.5	41	45	61	45	712	20-16C40MLOS	20-16C40MLOSS	250	200
28, 30, 32	1 1/4	1 1/2-11	1 11/16-12	55	26.0	33.0	50	49	65	48	821	20-24C40MLOS	20-24C40MLOSS	140	140
35, 28	1 1/2	1 1/2-11	2-12	55	32.0	33.0	50	49	65	48	953	24C40MLOS	24C40MLOSS	140	140
35, 38	1 1/2	1 1/4-11	2-12	50	32.0	27.5	50	49	65	46	1098	24-20C40MLOS	24-20C40MLOSS	140	140

Product delivered with NBR TRAP seal. Replacement of TRAP seal is with a standard NBR O-ring – see page J73-J74.

Part numbers shown are part of our current manufacturing programme.

Imperial and metric parts may vary in hexagon dimensions.

$$\frac{\text{PN (bar)}}{10} = \text{PN (MPa)}$$

Do not create drawings from these dimensions, they are subject to change and ISO manufacturing allowances.

*JJ may vary in stainless steel