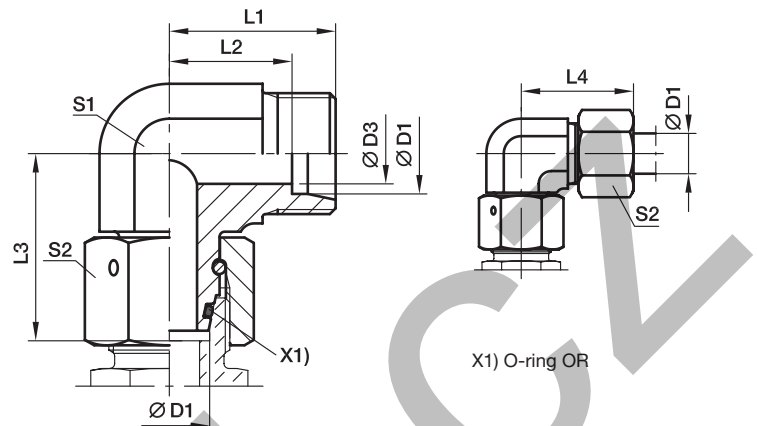


## EW Swivel nut elbow

EO 24° cone end / EO 24° DKO swivel



Series	D1	D3	L1	L2	L3	L4	S1	S2	Weight g/1 piece	Order code*	PN (bar) <sup>1)</sup>	
											Steel	71
L <sup>3)</sup>	06	4	19	12.0	26.0	27	12	14	34	<b>EW06LOMD</b>	500	315
	08	6	21	14.0	27.5	29	12	17	43	<b>EW08LOMD</b>	500	315
	10	8	22	15.0	29.0	30	14	19	58	<b>EW10LOMD</b>	500	315
	12	10	24	17.0	29.5	32	17	22	81	<b>EW12LOMD</b>	400	315
	15	12	28	21.0	32.5	36	19	27	128	<b>EW15LOMD</b>	400	315
	18	15	31	23.5	35.5	40	24	32	197	<b>EW18LOMD</b>	400	315
	22	19	35	27.5	38.5	44	27	36	258	<b>EW22LOMD</b>	250	160
	28	24	38	30.5	41.5	47	36	41	370	<b>EW28LOMD</b>	250	160
	35	30	45	34.5	51.0	56	41	50	593	<b>EW35LOMD</b>	250	160
	42	36	51	40.0	56.0	63	50	60	993	<b>EW42LOMD</b>	250	160
S <sup>4)</sup>	06	4	23	16.0	27.0	31	12	17	48	<b>EW06SOMD</b>	800	630
	08	5	24	17.0	27.5	32	14	19	65	<b>EW08SOMD</b>	800	630
	10	6	25	17.5	30.0	34	17	22	92	<b>EW10SOMD</b>	800	630
	12	8	29	21.5	31.0	38	17	24	107	<b>EW12SOMD</b>	630	630
	16	12	33	24.5	36.5	43	24	30	212	<b>EW16SOMD</b>	630	400
	20	16	37	26.5	44.5	48	27	36	309	<b>EW20SOMD</b>	420	400
	25	20	42	30.0	50.0	54	36	46	547	<b>EW25SOMD</b>	420	400
	30	25	49	35.5	55.0	62	41	50	744	<b>EW30SOMD</b>	420	400
	38	32	57	41.0	63.0	72	50	60	1222	<b>EW38SOMD</b>	420	315

<sup>1)</sup> Pressure shown = item deliverable

<sup>3)</sup> L = light series; <sup>4)</sup> S = heavy series

$$\frac{\text{PN (bar)}}{10} = \text{PN (MPa)}$$

Delivery without nut and ring. Information on ordering complete fittings or alternative sealing materials see page 17.

Order code suffixes			
Material	Suffix surface and material	Example	Standard sealing material (no additional suffix needed)
Steel	CF	EW16SOMDCF	NBR
Stainless Steel	71	EW16SOMD71	VIT

\*Please add the **suffixes** below according to the material/surface required.