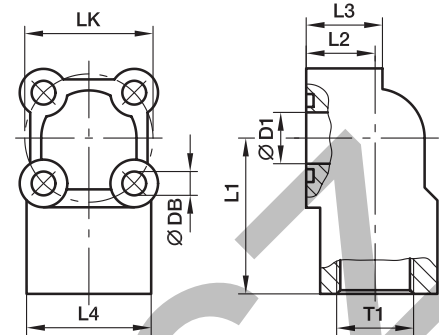


PWDS-G Gear pump flange 90° elbow 4 holes – aluminium

Hydraulic flange / Female BSPP thread



PWDS-G 90° Female BSPP thread

| LK | T1 | D1 | L1 | L2 | L3 | L4 | DB | Bolts | | O-ring | Weight (steel) kg/piece | Order code* | PN (bar) ¹⁾ A |
|----|--------------|------|------|----|----|----|-----|------------------|------------------|------------|-------------------------|----------------------|--------------------------|
| | | | | | | | | 2 pieces (metr.) | 2 pieces (metr.) | | | | |
| 30 | G 3/8 | 11.5 | 39.0 | 18 | 20 | 33 | 6.5 | M 06×30 | M 06×40 | 15.88×2.62 | 0.14 | PWDS-G38/LK30 | 180 |
| 30 | G 1/2 | 11.5 | 39.0 | 18 | 20 | 33 | 6.5 | M 06×30 | M 06×40 | 15.88×2.62 | 0.14 | PWDS-G12/LK30 | 180 |
| 35 | G 3/8 | 14.0 | 42.5 | 18 | 20 | 34 | 6.5 | M 06×30 | M 06×40 | 18.72×2.62 | 0.16 | PWDS-G38/LK35 | 180 |
| 35 | G 1/2 | 14.0 | 42.5 | 18 | 20 | 34 | 6.5 | M 06×30 | M 06×40 | 18.72×2.62 | 0.15 | PWDS-G12/LK35 | 180 |
| 40 | G 1/2 | 18.0 | 47.5 | 24 | 28 | 41 | 6.5 | M 06×40 | M 06×50 | 22.22×2.62 | 0.25 | PWDS-G12/LK40 | 180 |
| 40 | G 3/4 | 18.0 | 47.5 | 24 | 28 | 41 | 6.5 | M 06×40 | M 06×50 | 22.22×2.62 | 0.24 | PWDS-G34/LK40 | 180 |
| 55 | G 3/4 | 24.5 | 54.0 | 29 | 31 | 49 | 8.5 | M 08×45 | M 08×60 | 29.75×3.53 | 0.45 | PWDS-G34/LK55 | 180 |
| 55 | G 1 | 24.5 | 54.0 | 29 | 31 | 49 | 8.5 | M 08×45 | M 08×60 | 29.75×3.53 | 0.43 | PWDS-G1/LK55 | 180 |

¹⁾ Pressure shown = Item deliverable

$$\frac{PN \text{ (bar)}}{10} = PN \text{ (MOPa)}$$

*Please add the **suffixes** below according to the material/surface required.

| Order code suffixes | | | |
|---------------------|-----------------------------|--------------------------------------|---|
| Material | Suffix surface and material | Example incl. metr. bolts and O-ring | Standard sealing material (no additional suffix needed) |
| Aluminium | A | PWDS-G38/LK30AM | NBR |