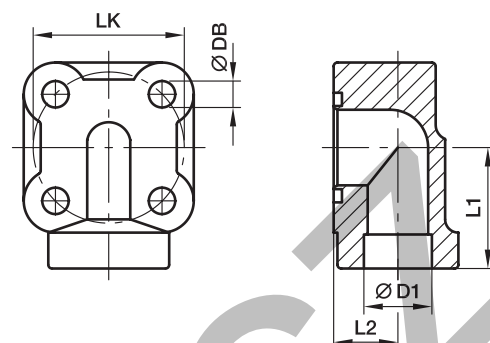


## Gear pump flanges

## BFW-S Gear pump flange 90° elbow

Hydraulic flange / Socket weld end



## BFW-S 90° Socket weld end

LK	D1	L1	L2	DB	Bolts (metr.)	O-ring	Weight (steel) kg/piece	Order code*	PN (bar) <sup>1)</sup> S
30	12	30	14	7.0	M 06×30	15.88×2.62	0.30	<b>BFW-S12/LK30/M6</b>	200
30	12	27	13	8.5	M 08×35	15.88×2.62	0.29	<b>BFW-S12/LK30/M8</b>	250
30	14	27	13	6.5	M 06×30	15.88×2.62	0.29	<b>BFW-S14/LK30/M6</b>	200
30	14	27	13	8.5	M 08×35	15.88×2.62	0.28	<b>BFW-S14/LK30/M8</b>	250
30	16	27	13	6.5	M 06×30	15.88×2.62	0.29	<b>BFW-S16/LK30/M6</b>	200
30	16	27	13	8.5	M 08×35	15.88×2.62	0.28	<b>BFW-S16/LK30/M8</b>	250
30	18	27	13	6.5	M 06×30	15.88×2.62	0.27	<b>BFW-S18/LK30/M6</b>	200
35	14	30	12	6.5	M 06×35	18.72×2.62	0.40	<b>BFW-S14/LK35/M6</b>	200
35	14	30	14	8.5	M 08×40	18.72×2.62	0.39	<b>BFW-S14/LK35/M8</b>	250
35	16	30	12	6.5	M 06×35	18.72×2.62	0.27	<b>BFW-S16/LK35/M6</b>	200
35	16	30	14	8.5	M 08×40	18.72×2.62	0.27	<b>BFW-S16/LK35/M8</b>	250
35	18	30	14	6.5	M 06×35	18.72×2.62	0.26	<b>BFW-S18/LK35/M6</b>	200
35	18	30	14	8.5	M 08×40	18.72×2.62	0.25	<b>BFW-S18/LK35/M8</b>	250
35	20	30	14	7.0	M 06×35	18.72×2.62	0.27	<b>BFW-S20/LK35/M6</b>	200
40	18	32	17	6.5	M 06×40	23.81×2.62	0.37	<b>BFW-S18/LK40/M6</b>	200
40	18	32	17	8.5	M 08×40	23.81×2.62	0.36	<b>BFW-S18/LK40/M8</b>	250
40	20	32	17	6.5	M 06×40	23.81×2.62	0.36	<b>BFW-S20/LK40/M6</b>	200
40	20	32	17	8.5	M 08×40	23.81×2.62	0.35	<b>BFW-S20/LK40/M8</b>	250
40	22	32	17	6.5	M 06×40	23.81×2.62	0.35	<b>BFW-S22/LK40/M6</b>	200
40	22	32	17	8.5	M 08×40	23.81×2.62	0.35	<b>BFW-S22/LK40/M8</b>	250
40	25	32	17	6.5	M 06×40	23.81×2.62	0.34	<b>BFW-S25/LK40/M6</b>	200
40	25	32	17	8.5	M 08×40	23.81×2.62	0.33	<b>BFW-S25/LK40/M8</b>	250

<sup>1)</sup> Pressure shown = Item deliverable

$$\frac{\text{PN (bar)}}{10} = \text{PN (MPa)}$$

The pressures given here are the maximum allowable for the flange fittings. If the pipe or tube used has a lower pressure rating, then the welded assembly rating will be the lower one, assuming the weld is adequately strong.

\*Please add the **suffixes** below according to the material/surface required.

Order code suffixes			
Material	Suffix surface and material	Example incl. metr. bolts and O-ring	Standard sealing material (no additional suffix needed)
Steel, blanc oil dipped	S	BFW-S16/LK30/M6SM	NBR