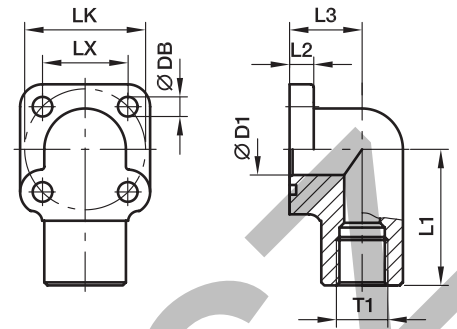


## BFW-GI Gear pump flange 90° elbow

Hydraulic flange / Female BSPP thread



### BFW-GI 90° Female BSPP thread

LK	T1	D1	L1	L2	L3	LX	DB	Bolts		O-ring	Weight (steel) kg/piece	Order code*	PN (bar) <sup>1)</sup> CF
								2 pieces (metr.)	2 pieces (metr.)				
35	<b>G 3/8</b>	10	40	8	20.0	24.8	6.5	M 06×20	M 06×35	18.72×2.62	0.22	<b>BFW-GI38/LK35</b>	315
35	<b>G 1/2</b>	13	40	8	20.0	24.8	6.5	M 06×20	M 06×35	18.72×2.62	0.30	<b>BFW-GI12/LK35</b>	315
40	<b>G 3/8</b>	10	45	8	24.0	28.2	6.5	M 06×20	M 06×40	25.07×2.62	0.42	<b>BFW-GI38/LK40</b>	250
40	<b>G 1/2</b>	13	45	8	24.0	28.2	6.5	M 06×20	M 06×40	25.07×2.62	0.42	<b>BFW-GI12/LK40</b>	250
40	<b>G 3/4</b>	17	45	8	24.0	28.2	6.5	M 06×20	M 06×40	25.07×2.62	0.32	<b>BFW-GI34/LK40</b>	250
55	<b>G 1/2</b>	13	46	12	24.0	38.8	8.5	M 08×25	M 08×45	31.42×2.62	0.58	<b>BFW-GI12/LK55</b>	315
55	<b>G 3/4</b>	17	49	12	31.0	38.8	8.5	M 08×25	M 08×60	31.42×2.62	0.69	<b>BFW-GI34/LK55</b>	315
55	<b>G 1</b>	22	50	12	40.0	38.8	8.5	M 08×25	M 08×70	31.42×2.62	0.81	<b>BFW-G 11/LK55</b>	315

<sup>1)</sup> Pressure shown = Item deliverable

$\frac{\text{PN (bar)}}{10} = \text{PN (MPa)}$

\*Please add the **suffixes** below according to the material/surface required.

Order code suffixes			
Material	Suffix surface and material	Example incl. metr. bolts and O-ring	Standard sealing material (no additional suffix needed)
Steel, zinc plated, Cr(VI)-free	CF	BFW-GI38/LK35CFM	NBR