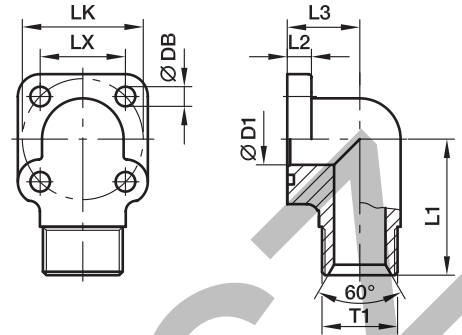


BFW-G Gear pump flange 90° elbow

Hydraulic flange / BSPP 60° cone end
(ISO 8434-6)



BFW-G 90° BSPP 60° cone end

LK	T1	D1	L1	L2	L3	LX	DB	Bolts		O-ring	Weight (steel) kg/piece	Order code*	PN (bar) ¹⁾ CF
								2 pieces (metr.)	2 pieces (metr.)				
35	G 3/8	10	40	8	20.0	24.8	6.5	M 06×20	M 06×35	18.72×2.62	0.20	BFW-G38/LK35	315
35	G 1/2	12	40	8	16.5	24.8	6.5	M 06×20	M 06×40	18.72×2.62	0.20	BFW-G12/LK35	315
35	G 3/4	12	40	8	20.0	24.8	6.5	M 06×20	M 06×40	18.72×2.62	0.25	BFW-G34/LK35	315
40	G 3/8	10	40	8	22.5	28.2	6.5	M 06×20	M 06×40	25.07×2.62	0.32	BFW-G38/LK40	250
40	G 1/2	12	45	8	24.0	28.2	6.5	M 06×20	M 06×40	25.07×2.62	0.26	BFW-G12/LK40	250
40	G 3/4	17	45	8	24.0	28.2	6.5	M 06×20	M 06×40	25.07×2.62	0.28	BFW-G34/LK40	250
40	G 1	19	40	8	28.0	28.2	6.5	M 06×20	M 06×50	25.07×2.62	0.30	BFW-G1/LK40	250
55	G 1/2	13	49	12	24.0	38.8	8.5	M 08×25	M 08×45	31.42×2.62	0.54	BFW-G12/LK55	315
55	G 3/4	17	46	12	31.0	38.8	8.5	M 08×25	M 08×60	31.42×2.62	0.48	BFW-G34/LK55	315
55	G 1	22	50	12	40.0	38.8	8.5	M 08×25	M 08×70	31.42×2.62	0.62	BFW-G1/LK55	315

¹⁾ Pressure shown = Item deliverable

$$\frac{PN \text{ (bar)}}{10} = PN \text{ (MPa)}$$

*Please add the **suffixes** below according to the material/surface required.

Order code suffixes			
Material	Suffix surface and material	Example incl. metr. bolts and O-ring	Standard sealing material (no additional suffix needed)
Steel, zinc plated, Cr(VI)-free	CF	BFW-G38/LK35CFM	NBR