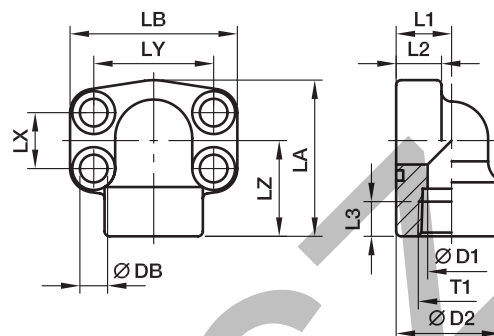


PEFF-N SAE 90° 4 bolt flange with NPT thread

SAE 90° Flange / Female NPT thread
(ISO 6162-1/-2) (SAE 476)



3000 PSI Series

Nom. flange size		T1	D1	D2	L1	L2	L3	LX	LY	LZ	DB	Bolts		Weight (steel) kg/piece	Order code*	PN (bar) ¹⁾	
SAE (in.)	ISO (DN)											(metr.)	(unc.)			S	SS
1/2	13	1/2 NPT	13	34.0	18	16	16	17.5	38.1	36	8.9	M 08×30	5/16×1 1/4	0.35	PEFF32N	348	348
3/4	19	3/4 NPT	19	38.5	22	18	19	22.3	47.6	38	10.6	M 10×35	3/8×1 1/2	0.55	PEFF33N	348	348
1	25	1 NPT	25	44.5	28	19	19	26.2	52.4	41	10.6	M 10×35	3/8×1 1/2	0.80	PEFF34N	348	348
1 1/4	32	1 1/4 NPT	31	53.5	30	22	22	30.2	58.7	50	10.6***	M 10×35	7/16×1 1/2	1.30	PEFF35N	278	278
1 1/2	38	1 1/2 NPT	38	62.5	36	25	24	35.7	69.9	58	13.3	M 12×45	1/2×1 3/4	1.60	PEFF36N	210	210
2	51	2 NPT	50	77.0	41	25	26	42.9	77.8	65	13.5	M 12×45	1/2×1 3/4	2.00	PEFF38N	210	210
2 1/2	64	2 1/2 NPT	60	89.0	50	25	30	50.8	88.9	77	13.5	M 12×45	1/2×1 3/4	2.40	PEFF310N	175	175

6000 PSI Series

1/2	13	1/2 NPT	13	34.0	18	16	16	18.2	40.5	36	8.9	M 08×30	5/16×1 1/4	0.35	PEFF62N	420	420
3/4	19	3/4 NPT	19	44.5	28	20	22	23.8	50.8	41	10.6	M 10×35	3/8×1 1/2	0.80	PEFF63N	420	420
1	25	1 NPT	25	53.5	30	24	24	27.8	57.2	50	13.3***	M 12×45	7/16×1 1/2	1.30	PEFF64N	420	420
1 1/4	32	1 1/4 NPT	31	62.5	36	25	25	31.8	66.6	58	15.0**	M 14×50	1/2×1 3/4	1.60	PEFF65N	420	420
1 1/4	32	1 1/4 NPT	31	62.5	36	25	25	31.8	66.6	58	13.3	M 12×50	-	1.60	PEFF65/12N	420	420
1 1/2	38	1 1/2 NPT	38	77.0	51	26	28	36.5	79.3	65	16.7	M 16×55	5/8×2 1/4	2.00	PEFF66N	420	420
2	51	2 NPT	50	87.0	45	35	34	44.5	96.8	75	20.6	M 20×70	3/4×2 3/4	2.50	PEFF68N	420	420

**DB = 13.3 for UNC Bolts

***DB = 12 for UNC Bolts

¹⁾Pressure shown = Item deliverable

PN (bar) / 10 = PN (MPa)

Stainless steel parts may have dimensional deviations. Additional information on request.

*Please add the suffixes below according to the material/surface required.

Order code suffixes					
Material	Suffix surface and material	Example only 4 bolt flange	Example 4 bolt flange incl. metr. bolts and O-ring	Example 4 bolt flange incl. UNC bolts and O-ring	Standard sealing material (no additional suffix needed)
Steel, oil dipped	S	PEFF32NS	PEFF32NSM	PEFF32NSU	NBR
Stainless steel	SS	PEFF32NSS	PEFF32NSSM	-	VIT