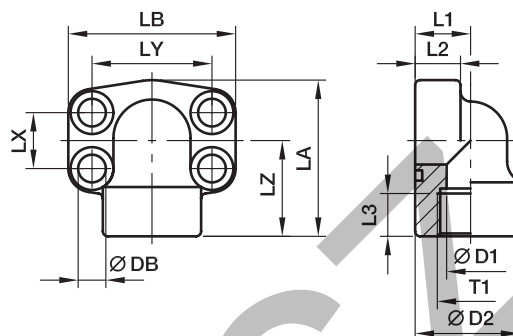


## PEFF-G SAE 90° 4 bolt flange with BSPP thread

SAE 90° Flange / Female BSPP thread  
(ISO 6162-1/-2)



### 3000 PSI Series

Nom. flange size		T1	D1	D2	L1	L2	L3	LX	LY	LZ	DB	Bolt		Weight (steel) kg/piece	Order code*	PN (bar) <sup>1)</sup>	
SAE (in.)	ISO (DN)											(metr.)	(unc.)			S	SS
1/2	13	<b>G 1/2</b>	13	34.0	18	16	16	17.5	38.1	36	8.9	M 08×30	5/16×1 1/4	0.33	<b>PEFF32G</b>	348	348
3/4	19	<b>G 3/4</b>	19	38.5	22	18	19	22.3	47.6	38	10.6	M 10×35	3/8×1 1/2	0.52	<b>PEFF33G</b>	348	348
1	25	<b>G 1</b>	25	44.5	28	19	19	26.2	52.4	41	10.6	M 10×35	3/8×1 1/2	0.64	<b>PEFF34G</b>	348	348
1 1/4	32	<b>G 1 1/4</b>	31	53.5	30	22	22	30.2	58.7	50	10.6***	M 10×35	7/16×1 1/2	0.99	<b>PEFF35G</b>	278	278
1 1/2	38	<b>G 1 1/2</b>	38	62.5	36	25	24	35.7	69.9	58	13.3	M 12×45	1/2×1 3/4	1.42	<b>PEFF36G</b>	210	210
2	51	<b>G 2</b>	50	77.0	41	25	26	42.9	77.8	65	13.5	M 12×45	1/2×1 3/4	2.00	<b>PEFF38G</b>	210	210
2 1/2	64	<b>G 2 1/2</b>	60	89.0	50	25	30	50.8	88.9	77	13.5	M 12×45	1/2×1 3/4	2.90	<b>PEFF310G</b>	175	175

### 6000 PSI Series

1/2	13	<b>G 1/2</b>	13	34.0	18	16	16	18.2	40.5	36	8.9	M 08×30	5/16×1 1/4	0.33	<b>PEFF62G</b>	420	420
3/4	19	<b>G 3/4</b>	19	44.5	28	20	22	23.8	50.8	41	10.6	M 10×35	3/8×1 1/2	0.80	<b>PEFF63G</b>	420	420
1	25	<b>G 1</b>	25	53.5	30	24	24	27.8	57.2	50	13.3***	M 12×45	7/16×1 1/2	1.16	<b>PEFF64G</b>	420	420
1 1/4	32	<b>G 1 1/4</b>	31	62.5	36	25	25	31.8	66.6	58	15.0**	M 14×50	1/2×1 3/4	1.66	<b>PEFF65G</b>	420	420
1 1/4	32	<b>G 1 1/4</b>	31	62.5	36	25	25	31.8	66.6	58	13.3	M 12×50	-	1.66	<b>PEFF65/12G</b>	420	420
1 1/2	38	<b>G 1 1/2</b>	38	62.0	41	26	23	36.5	79.3	65	16.7	M 16×55	5/8×2 1/4	2.24	<b>PEFF66G</b>	420	420
2	51	<b>G 2</b>	50	87.0	45	35	34	44.5	96.8	75	20.6	M 20×70	3/4×2 3/4	3.85	<b>PEFF68G</b>	420	420

\*\*DB = 13.3 for UNC Bolts

\*\*\*DB = 12 for UNC Bolts

1) Pressure shown = Item deliverable

$\frac{PN \text{ (bar)}}{10} = PN \text{ (MPa)}$

Stainless steel parts may have dimensional deviations. Additional information on request.

\*Please add the suffixes below according to the material/surface required.

Order code suffixes					
Material	Suffix surface and material	Example only 4 bolt flange	Example 4 bolt flange incl. metr. bolts and O-ring	Example 4 bolt flange incl. UNC bolts and O-ring	Standard sealing material (no additional suffix needed)
Steel, zinc plated, Cr(VI)-free	CF	PEFF32GCF	PEFF32GCFM	PEFF32GCFU	NBR
Stainless steel	SS	PEFF32GSS	PEFF32GSSM	-	VIT