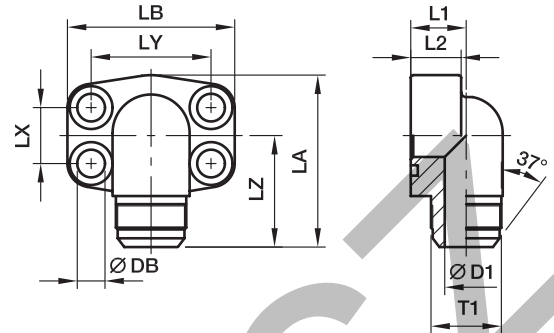


**PAFG-90X SAE 90° 4 bolt flange with Triple-Lok® 37° flare end**

SAE 90° Flange / Triple-Lok® 37° flare end  
(ISO 6162-1/-2)



**3000 PSI Series**

Nom. flange size	SAE (in.)	ISO (DN)	T1	D1	L1	L2	LX	LY	LZ	DB	Bolts		Weight (steel) kg/piece	Order code*	PN (bar) <sup>1)</sup>	
											(metr.)	(unc.)			CF	SS
1/2	13	13	3/4-16	9.9	17	16	17.5	38.1	40	8.9	M 08x30	5/16x1 1/4	0.30	PAFG080/90X-A	348	348
1/2	13	13	7/8-14	12.3	17	16	17.5	38.1	42	8.9	M 08x30	5/16x1 1/4	0.30	PAFG080/90X-B	348	348
1/2	13	13	1 1/16-12	12.3	20	16	17.5	38.1	43	8.9	M 08x30	5/16x1 1/4	0.30	PAFG080/90X-C	348	348
3/4	19	19	7/8-14	12.3	20	18	22.3	47.6	45	10.6	M 10x35	3/8x1 1/2	0.50	PAFG100/90X-A	348	348
3/4	19	19	1 1/16-12	15.5	20	18	22.3	47.6	47	10.6	M 10x35	3/8x1 1/2	0.50	PAFG100/90X-B	348	348
3/4	19	19	1 5/16-12	21.5	25	25	22.3	47.6	48	10.6	M 10x40	3/8x1 1/2	0.58	PAFG100/90X-C	348	348
1	25	25	1 1/16-12	15.5	20	19	26.2	52.4	50	10.6	M 10x35	3/8x1 1/2	0.62	PAFG102/90X-A	348	348
1	25	25	1 5/16-12	21.5	25	19	26.2	52.4	51	10.6	M 10x35	3/8x1 1/2	0.68	PAFG102/90X-B	348	348
1 1/4	32	32	1 5/16-12	21.5	25	22	30.2	58.7	56	10.6***	M 10x40	7/16x1 1/2	1.06	PAFG104/90X-A	278	278
1 1/4	32	32	1 5/8-12	27.5	31	22	30.2	58.7	58	10.6***	M 10x40	7/16x1 1/2	1.03	PAFG104/90X-B	278	278
1 1/4	32	32	1 7/8-12	33.0	37	22	30.2	58.7	61	10.6***	M 10x40	7/16x1 1/2	0.96	PAFG104/90X-C	278	278
1 1/2	38	38	1 5/8-12	27.5	31	25	35.7	69.9	63	13.3	M 12x45	1/2x1 3/4	1.62	PAFG106/90X-A	210	210
1 1/2	38	38	1 7/8-12	33.0	37	25	35.7	69.9	66	13.3	M 12x45	1/2x1 3/4	1.53	PAFG106/90X-B	210	210

**6000 PSI Series**

1/2	13	13	3/4-16	9.9	17	16	18.2	40.5	40	8.9	M 08x30	5/16x1 1/4	0.30	PAFG401/90X-A	350	350
1/2	13	13	7/8-14	12.3	17	16	18.2	40.5	42	8.9	M 08x30	5/16x1 1/4	0.32	PAFG401/90X-B	350	350
1/2	13	13	1 1/16-12	12.3	20	16	18.2	40.5	43	8.9	M 08x30	5/16x1 1/4	0.35	PAFG401/90X-C	350	350
3/4	19	19	7/8-14	12.3	20	19	23.8	50.8	49	10.6	M 10x35	3/8x1 1/2	0.71	PAFG402/90X-A	350	350
3/4	19	19	1 1/16-12	15.5	20	19	23.8	50.8	51	10.6	M 10x35	3/8x1 1/2	0.67	PAFG402/90X-B	350	350
3/4	19	19	1 5/16-12	21.5	25	19	23.8	50.8	52	10.6	M 10x35	3/8x1 1/2	0.71	PAFG402/90X-C	350	350
1	25	25	1 1/16-12	15.5	25	24	27.8	57.2	55	13.3***	M 12x45	7/16x1 1/2	0.93	PAFG403/90X-A	350	350
1	25	25	1 5/16-12	25/21.5	25	24	27.8	57.2	56	13.3***	M 12x45	7/16x1 1/2	0.88	PAFG403/90X-B	350	350
1	25	25	1 5/8-12	27.5	31	24	27.8	57.2	58	13.3***	M 12x45	7/16x1 1/2	1.04	PAFG403/90X-C	275	275
1 1/4	32	32	1 5/16-12	21.5	31	25	31.8	66.6	56	15.0**	M 14x50	1/2x1 3/4	1.53	PAFG404/90X-A	350	350
1 1/4	32	32	1 5/16-12	21.5	31	25	31.8	66.6	56	13.3	M 12x50	-	1.53	PAFG404/12/90X-A	350	350
1 1/4	32	32	1 5/8-12	27.5	31	25	31.8	66.6	63	15.0**	M 14x50	1/2x1 3/4	1.56	PAFG404/90X-B	275	275
1 1/4	32	32	1 5/8-12	27.5	31	25	31.8	66.6	63	13.3	M 12x50	-	1.56	PAFG404/12/90X-B	275	275
1 1/4	32	32	1 7/8-12	33.0	37	25	31.8	66.6	63	15.0**	M 14x50	1/2x1 3/4	1.63	PAFG404/90X-C	210	210
1 1/4	32	32	1 7/8-12	33.0	37	25	31.8	66.6	63	13.3	M 12x50	-	1.63	PAFG404/12/90X-C	210	210
1 1/2	38	38	1 5/8-12	27.5	37	26	36.5	79.3	67	16.7	M 16x55	5/8x2 1/4	2.61	PAFG405/90X-A	275	275
1 1/2	38	38	1 7/8-12	33.0	37	26	36.5	79.3	70	16.7	M 16x55	5/8x2 1/4	2.49	PAFG405/90X-B	210	210

<sup>1)</sup>Pressure shown = Item deliverable

\*\* DB = 13.3 for UNC Bolts

\*\*\*DB = 12 for UNC Bolts

PN (bar) / 10 = PN (MPa)

\*Please add the suffixes below according to the material/surface required.

**Stainless steel parts may have dimensional deviations. Additional information on request.**

Order code suffixes					
Material	Suffix surface and material	Example only 4 bolt flange	Example 4 bolt flange incl. metr. bolts and O-ring	Example 4 bolt flange incl. UNC bolts and O-ring	Standard sealing material (no additional suffix needed)
Steel, zinc plated, Cr(VI)-free	CF	PAFG080/90X-ACF	PAFG080/90X-ACFM	PAFG080/90X-ACFU	NBR
Stainless steel	SS	PAFG080/90X-ASS	PAFG080/90X-ASSM	-	VIT