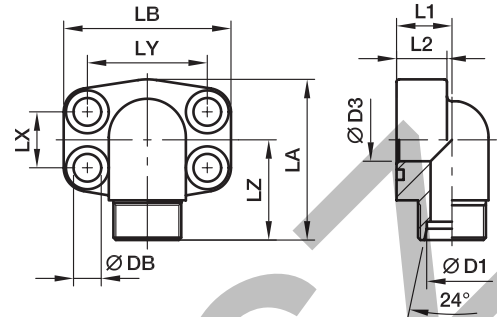


PAFG-90M SAE 90° 4 bolt flange with EO 24° cone end

SAE 90° Flange / EO 24° cone end
(ISO 6162-1/-2)



3000 PSI Series

Nom. flange size	D1 ²⁾	D3	L1	L2	LX	LY	LZ	DB	Bolts		Weight (steel) kg/piece	Order code*	PN (bar) ¹⁾		
									(metr.)	(unc.)			CF	SS	
1/2	13	12S	8	18	16	17.5	38.1	36	8.9	M 08×30	5/16×1 1/4	0.31	PAFG080/90M12S	348	348
1/2	13	15L	11	18	16	17.5	38.1	36	8.9	M 08×30	5/16×1 1/4	0.30	PAFG080/90M15L	348	315
1/2	13	16S	12	18	16	17.5	38.1	36	8.9	M 08×30	5/16×1 1/4	0.30	PAFG080/90M16S	348	348
3/4	19	16S	12	22	18	22.3	47.6	38	10.6	M 10×35	3/8×1 1/2	0.48	PAFG100/90M16S	348	348
3/4	19	20S	16	22	18	22.3	47.6	38	10.6	M 10×35	3/8×1 1/2	0.44	PAFG100/90M20S	348	348
3/4	19	22L	18	22	18	22.3	47.6	38	10.6	M 10×35	3/8×1 1/2	0.45	PAFG100/90M22L	250	160
1	25	20S	16	28	19	26.2	52.4	42	10.6	M 10×35	3/8×1 1/2	0.68	PAFG102/90M20S	348	348
1	25	25S	20	28	19	26.2	52.4	42	10.6	M 10×35	3/8×1 1/2	0.64	PAFG102/90M25S	348	348
1	25	28L	23	28	19	26.2	52.4	42	10.6	M 10×35	3/8×1 1/2	0.62	PAFG102/90M28L	250	160
1 1/4	32	25S	20	30	22	30.2	58.7	50	10.6***	M 10×40	7/16×1 1/2	1.05	PAFG104/90M25S	278	278
1 1/4	32	30S	25	30	22	30.2	58.7	50	10.6***	M 10×40	7/16×1 1/2	1.02	PAFG104/90M30S	278	278
1 1/4	32	35L	30	30	22	30.2	58.7	50	10.6***	M 10×40	7/16×1 1/2	0.94	PAFG104/90M35L	278	278
1 1/2	38	35L	30	36	25	35.7	69.9	58	13.3	M 12×45	1/2×1 3/4	1.51	PAFG106/90M35L	210	210
1 1/2	38	38S	32	36	25	35.7	69.9	58	13.3	M 12×45	1/2×1 3/4	1.55	PAFG106/90M38S	210	210
1 1/2	38	42L	36	36	25	35.7	69.9	58	13.3	M 12×45	1/2×1 3/4	1.42	PAFG106/90M42L	210	210

6000 PSI Series

1/2	13	12S	8	20	16	18.2	40.5	36	8.9	M 08×30	5/16×1 1/4	0.31	PAFG401/90M12S	420	420
1/2	13	14S	10	20	16	18.2	40.5	36	8.9	M 08×30	5/16×1 1/4	0.30	PAFG401/90M14S	420	420
1/2	13	16S	12	20	16	18.2	40.5	36	8.9	M 08×30	5/16×1 1/4	0.30	PAFG401/90M16S	420	420
3/4	19	16S	12	26	22	23.8	50.8	41	10.6	M 10×40	3/8×1 1/2	0.68	PAFG402/90M16S	420	420
3/4	19	20S	16	26	22	23.8	50.8	50	10.6	M 10×40	3/8×1 1/2	0.68	PAFG402/90M20S	420	400
3/4	19	22L	18	26	22	23.8	50.8	41	10.6	M 10×40	3/8×1 1/2	0.66	PAFG402/90M22L	250	160
1	25	20S	16	30	24	27.8	57.2	50	13.3***	M 12×45	7/16×1 1/2	1.11	PAFG403/90M20S	420	400
1	25	25S	20	30	24	27.8	57.2	50	13.3***	M 12×45	7/16×1 1/2	1.08	PAFG403/90M25S	420	400
1	25	28L	23	30	24	27.8	57.2	50	13.3***	M 12×45	7/16×1 1/2	1.05	PAFG403/90M28L	250	160
1 1/4	32	25S	20	36	25	31.8	66.6	58	15.0**	M 14×50	1/2×1 3/4	1.70	PAFG404/90M25S	420	400
1 1/4	32	25S	20	36	25	31.8	66.6	58	13.3	M 12×50	-	1.70	PAFG404/12/90M25S	420	400
1 1/4	32	30S	25	36	25	31.8	66.6	58	15.0**	M 14×50	1/2×1 3/4	1.45	PAFG404/90M30S	420	400
1 1/4	32	30S	25	36	25	31.8	66.6	58	13.3	M 12×50	-	1.45	PAFG404/12/90M30S	420	400
1 1/4	32	35L	30	36	25	31.8	66.6	58	15.0**	M 14×50	1/2×1 3/4	1.50	PAFG404/90M35L	250	160
1 1/4	32	35L	30	36	25	31.8	66.6	58	13.3	M 12×50	-	1.50	PAFG404/12/90M35L	250	160
1 1/2	38	35L	25	41	26	36.5	79.3	65	16.7	M 16×55	5/8×2 1/4	2.44	PAFG405/90M35L	250	160
1 1/2	38	38S	32/38	41	26	36.5	79.3	65	16.7	M 16×55	5/8×2 1/4	2.38	PAFG405/90M38S	315	315
1 1/2	38	42L	36	41	26	36.5	79.3	65	16.7	M 16×55	5/8×2 1/4	2.37	PAFG405/90M42L	250	160

²⁾ L = light series; S = heavy series

Delivery without nut and ring.
Information on ordering complete fittings or alternative sealing materials see page M12.
Stainless steel parts may have dimensional deviations.
Additional information on request.

** DB = 13.3 for UNC Bolts
***DB = 12 for UNC Bolts
¹⁾ Pressure shown = Item deliverable

*Please add the suffixes below according to the material/surface required.

$$\frac{PN(\text{bar})}{10} = PN(\text{MPa})$$

Order code suffixes					
Material	Suffix surface and material	Example only 4 bolt flange	Example 4 bolt flange incl. metr. bolts and O-ring	Example 4 bolt flange incl. UNC bolts and O-ring	Standard sealing material (no additional suffix needed)
Steel, zinc plated, Cr(VI)-free	CF	PAFG080/90M12SCF	PAFG080/90M12SOMDCFM	PAFG080/90M12SOMDCFU	NBR
Stainless steel	SS	PAFG080/90M12S-SS	PAFG080/90M12SOMDSSM	-	VIT