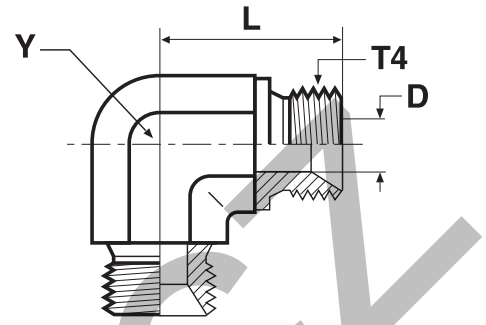


Adapters

**EMK4 Union elbow**

BSPP 60° Cone end (ISO 8434-6)

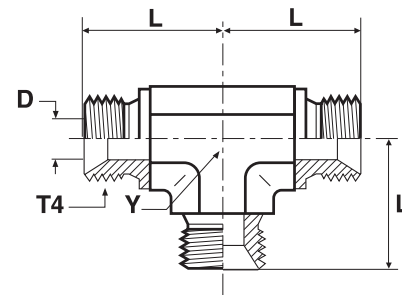


Thread BSPP T4	D mm	L mm	Y mm	Weight (steel) g/1 piece	Adapter Steel	Adapter Stainless Steel	PN (bar)	
							S	SS
1/8-28	3.5	17	11	21	<b>2EMK4S</b>	<b>2EMK4SS</b>	350	350
1/4-19	4.7	24	14	45	<b>4EMK4S</b>	<b>4EMK4SS</b>	350	350
3/8-19	7.9	27	19	85	<b>6EMK4S</b>	<b>6EMK4SS</b>	350	350
1/2-14	11.1	32	22	123	<b>8EMK4S</b>	<b>8EMK4SS</b>	200	200
5/8-14	14.3	34	22	109	<b>10EMK4S</b>	<b>10EMK4SS</b>	200	200
3/4-14	16.7	36	27	178	<b>12EMK4S</b>	<b>12EMK4SS</b>	200	200
1-11	22.2	42	33	288	<b>16EMK4S</b>	<b>16EMK4SS</b>	120	120
1 1/4-11	28.6	48	41	512	<b>20EMK4S</b>	<b>20EMK4SS</b>	105	105
1 1/2-11	33.3	54	48	824	<b>24EMK4S</b>	<b>24EMK4SS</b>	105	105

Do not create drawings from these dimensions, they are subject to change and ISO manufacturing allowances.

**JMK4 Union tee**

BSPP 60° Cone end (ISO 8434-6)



Thread BSPP T4	D mm	L mm	Y mm	Weight (steel) g/1 piece	Adapter Steel	Adapter Stainless Steel	PN (bar)	
							S	SS
1/8-28	3.5	17	11	33	<b>2JMK4S</b>	<b>2JMK4SS</b>	350	350
1/4-19	4.7	24	14	61	<b>4JMK4S</b>	<b>4JMK4SS</b>	350	350
3/8-19	7.9	27	19	105	<b>6JMK4S</b>	<b>6JMK4SS</b>	350	350
1/2-14	11.1	32	22	157	<b>8JMK4S</b>	<b>8JMK4SS</b>	200	200
5/8-14	14.3	34	22	145	<b>10JMK4S</b>	<b>10JMK4SS</b>	200	200
3/4-14	16.7	36	27	258	<b>12JMK4S</b>	<b>12JMK4SS</b>	200	200
1-11	22.2	42	33	591	<b>16JMK4S</b>	<b>16JMK4SS</b>	120	120
1 1/4-11	28.6	48	41	646	<b>20JMK4S</b>	<b>20JMK4SS</b>	105	105
1 1/2-11	33.3	54	48	940	<b>24JMK4S</b>	<b>24JMK4SS</b>	105	105

Order codes shown are part of our current manufacturing programme.

Imperial and metric parts may vary in hexagon dimensions.

$$\frac{PN \text{ (bar)}}{10} = PN \text{ (MPa)}$$

Do not create drawings from these dimensions, they are subject to change and ISO manufacturing allowances.