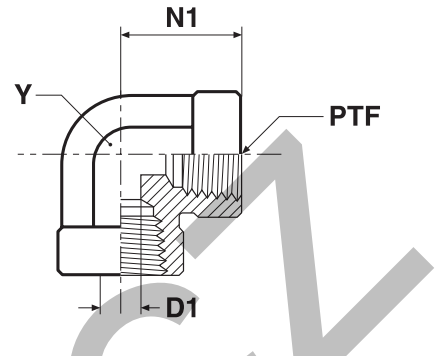


Adapters

DD Female thread elbow

Female NPTF* thread (SAE J476)
SAE 140238

*Stainless Steel = NPT to prevent galling



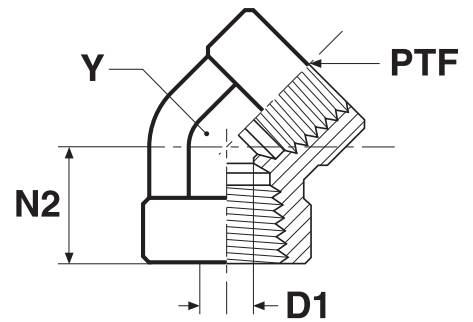
Thread NPT/NPTF PTF	D1 mm	N1 mm	Y mm	Weight (steel) g/1 piece	Adapter Steel	Adapter Stainless Steel	PN (bar)	
							S	SS
1/8-27	8.3	17	14.0	28	1/8 DD-S	1/8 DD-SS	350	350
1/4-18	10.7	22	19.0	72	1/4 DD-S	1/4 DD-SS	350	350
3/8-18	14.2	26	22.0	96	3/8 DD-S	3/8 DD-SS	310	310
1/2-14	17.5	31	27.0	159	1/2 DD-S	1/2 DD-SS	210	210
3/4-14	22.8	35	33.3	263	3/4 DD-S	3/4 DD-SS	210	210
1-11.5	28.6	41	41.0	488	1 DD-S	1 DD-SS	125	120
1 1/4-11.5	37.4	43	47.6	978	1 1/4 DD-S	1 1/4 DD-SS	100	100
1 1/2-11.5	43.4	53	63.5	1889	1 1/2 DD-S	1 1/2 DD-SS	100	100

Do not create drawings from these dimensions, they are subject to change and ISO manufacturing allowances.

DD45 Female thread 45° elbow

Female NPTF* thread (SAE J476)
SAE 140338

*Stainless Steel = NPT to prevent galling



Thread NPT/NPTF PTF	D1 mm	N2 mm	Y mm	Weight (steel) g/1 piece	Adapter Steel	Adapter Stainless Steel	PN (bar)	
							S	SS
1/8-27	8.3	12	14.0	27	1/8 DD45-S	1/8 DD45-SS	350	350
1/4-18	10.7	18	19.0	69	1/4 DD45-S	1/4 DD45-SS	350	350
3/8-18	14.2	19	22.0	97	3/8 DD45-S	3/8 DD45-SS	310	310
1/2-14	17.5	24	27.0	172	1/2 DD45-S	1/2 DD45-SS	210	210
3/4-14	22.8	25	33.3	248	3/4 DD45-S	3/4 DD45-SS	210	210
1-11.5	28.6	30	41.0	479	1 DD45-S	1 DD45-SS	125	120

Order codes shown are part of our current manufacturing programme.

Imperial and metric parts may vary in hexagon dimensions.

$$\frac{PN \text{ (bar)}}{10} = PN \text{ (MPa)}$$

Do not create drawings from these dimensions, they are subject to change and ISO manufacturing allowances.