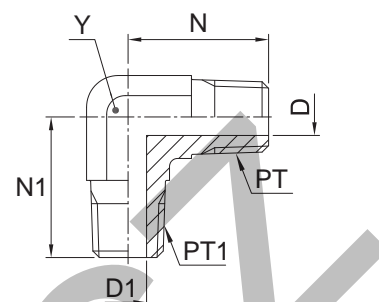


CR Male thread elbow

Male NPTF* thread (SAE J476) / Male NPTF* thread (SAE J476)

SAE 140237

*Stainless Steel = NPT to prevent galling



Thread NPT/NPTF PT	Thread NPT/NPTF PT1	D mm	D1 mm	N mm	N1 mm	Y mm	Weight (steel) g/1 piece	Adapter Steel	Adapter Stainless Steel	PN (bar)	
										S	SS
1/8-27	1/8-27	4.8	4.8	20	20	11.0	27	1/8 CR-S	1/8 CR-SS	420	420
1/4-18	1/4-18	7.1	7.1	28	28	14.0	54	1/4 CR-S	1/4 CR-SS	420	420
3/8-18	3/8-18	10.3	10.3	31	31	19.0	181	3/8 CR-S	3/8 CR-SS	420	420
3/8-18	1/4-18	10.3	7.1	31	31	19.0	66	3/8 X 1/4 CR-S	3/8 X 1/4 CR-SS	420	420
1/2-14	1/2-14	13.5	13.5	37	37	22.0	172	1/2 CR-S	1/2 CR-SS	420	420
1/2-14	3/8-18	13.5	10.3	37	33	22.0	103	1/2 X 3/8 CR-S	1/2 X 3/8 CR-SS	420	420
3/4-14	3/4-14	18.3	18.3	40	40	27.0	263	3/4 CR-S	3/4 CR-SS	280	280
3/4-14	1/2-14	18.3	13.5	40	37	27.0	164	3/4 X 1/2 CR-S	3/4 X 1/2 CR-SS	280	280
1-11.5	1-11.5	23.8	23.8	50	50	33.3	462	1 CR-S	1 CR-SS	210	210
1 1/4-11.5	1 1/4-11.5	31.8	31.8	56	56	47.6	782	1 1/4 CR-S	1 1/4 CR-SS	170	170
1 1/2-11.5	1 1/2-11.5	38.1	38.1	59	59	47.6	782	1 1/2 CR-S	1 1/2 CR-SS	170	170

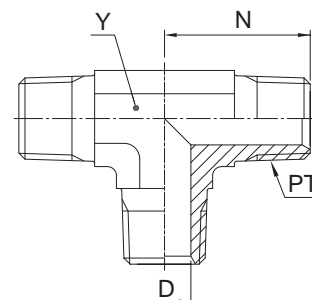
Do not create drawings from these dimensions, they are subject to change and ISO manufacturing allowances.

RRS Male thread tee

Male NPTF* thread (SAE J476)

SAE 140437

*Stainless Steel = NPT to prevent galling



Thread NPT/NPTF PT	D mm	N mm	Y mm	Weight (steel) g/1 piece	Adapter Steel	Adapter Stainless Steel	PN (bar)	
							S	SS
1/8-27	4.8	20	11	33	1/8 RRS-S	1/8 RRS-SS	420	420
1/4-18	7.1	28	14	56	1/4 RRS-S	1/4 RRS-SS	420	420
3/8-18	10.3	31	19	92	3/8 RRS-S	3/8 RRS-SS	420	420
1/2-14	13.5	37	22	96	1/2 RRS-S	1/2 RRS-SS	420	420
3/4-14	18.3	40	27	235	3/4 RRS-S	3/4 RRS-SS	280	280

Order codes shown are part of our current manufacturing programme.

Imperial and metric parts may vary in hexagon dimensions.

$$\frac{\text{PN (bar)}}{10} = \text{PN (MPa)}$$

Do not create drawings from these dimensions, they are subject to change and ISO manufacturing allowances.