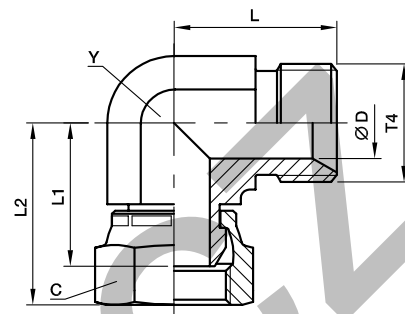


## C6MK4 Swivel nut elbow

BSPP 60° cone end (ISO 8434-6) / BSPP 60° Female swivel end (ISO 8434-6)



Thread BSPP T4	C mm	D mm	L mm	L1 mm	L2 mm	Y mm	Weight (steel) g/1 piece	Adapter Steel	Adapter		PN (bar)	
									Stainless Steel		S	SS
1/8-28	14	3.5	17	18	23	11	26	<b>2C6MK4S</b>	<b>2C6MK4SS</b>	350	350	
1/4-19	19	4.7	24	25	31	14	62	<b>4C6MK4S</b>	<b>4C6MK4SS</b>	350	350	
3/8-19	22	7.9	27	26	33	19	104	<b>6C6MK4S</b>	<b>6C6MK4SS</b>	350	350	
1/2-14	27	11.1	32	32	39	22	159	<b>8C6MK4S</b>	<b>8C6MK4SS</b>	200	200	
5/8-14	30	14.3	34	30	40	22	158	<b>10C6MK4S</b>	<b>10C6MK4SS</b>	200	200	
3/4-14	32	16.7	36	33	42	27	226	<b>12C6MK4S</b>	<b>12C6MK4SS</b>	200	200	
1-11	41	22.2	42	38	49	33	377	<b>16C6MK4S</b>	<b>16C6MK4SS</b>	120	120	
1 1/4-11	50	28.6	48	48	58	41	650	<b>20C6MK4S</b>	<b>20C6MK4SS</b>	105	105	
1 1/2-11	60	33.3	54	50	63	48	999	<b>24C6MK4S</b>	<b>24C6MK4SS</b>	105	105	

Order codes shown are part of our current manufacturing programme.

Imperial and metric parts may vary in hexagon dimensions.

$$\frac{\text{PN (bar)}}{10} = \text{PN (MPa)}$$

Do not create drawings from these dimensions, they are subject to change and ISO manufacturing allowances.