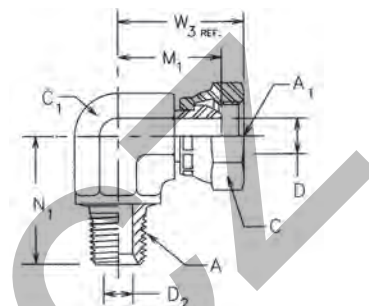


2107 Swivel male elbow

Male NPTF* thread (SAE J476) / NPSM Female swivel end (SAE J516)

SAE 140230

*Stainless Steel = NPT to prevent galling



Thread NPTF A	Thread NPSM A1	C mm	C1 mm	D mm	D2 mm	M1 mm	N1 mm	W3 mm	Weight (steel) g/1 piece	Adapter Steel	Adapter Stainless Steel		PN (bar)		
											S	SS	S	SS	
1/8-27	1/8-27	14.3	11.0	4.0	4.8	18	18	22	28	2107-2-2	2107-2-2-SS	350	350		
1/4-18	1/4-18	17.5	14.0	5.6	7.1	22	28	27	55	2107-4-4	2107-4-4-SS	350	350		
1/4-18	3/8-18	22.2	19.0	8.7	7.1	25	28	33	94	2107-4-6	2107-4-6-SS	280	280		
3/8-18	1/4-18	17.5	19.0	5.6	10.3	25	31	30	88	2107-6-4	2107-6-4-SS	350	350		
3/8-18	3/8-18	22.2	19.0	8.7	10.3	25	31	33	90	2107-6-6	2107-6-6-SS	280	280		
3/8-18	1/2-14	25.4	19.0	11.9	10.3	26	31	34	107	2107-6-8	2107-6-8-SS	245	245		
1/2-14	3/8-18	22.2	22.0	8.7	13.5	27	37	34	130	2107-8-6	2107-8-6-SS	280	280		
1/2-14	1/2-14	25.4	22.0	11.9	13.5	28	37	36	139	2107-8-8	2107-8-8-SS	245	245		
1/2-14	3/4-14	31.8	27.0	16.3	13.5	33	37	42	221	2107-8-12	2107-8-12-SS	140	140		
3/4-14	3/8-18	22.2	27.0	8.7	18.3	30	40	38	227	2107-12-6	2107-12-6-SS	280	280		
3/4-14	1/2-14	25.4	27.0	11.9	18.3	32	40	39	191	2107-12-8	2107-12-8-SS	245	245		
3/4-14	3/4-14	31.8	27.0	16.3	18.3	33	40	42	225	2107-12-12	2107-12-12-SS	140	140		
1-11.5	3/4-14	31.8	33.3	16.3	23.8	37	50	46	374	2107-16-12	2107-16-12-SS	140	140		
1-11.5	1-11.5	38.0	33.3	21.4	23.8	39	50	49	361	2107-16-16	2107-16-16-SS	120	120		
1 1/4-11.5	1 1/4-11.5	47.6	41.0	29.0	31.8	44	61	54	794	2107-20-20	2107-20-20-SS	120	120		
1 1/2-11.5	1 1/2-11.5	54.0	47.6	34.5	38.1	48	67	59	782	2107-24-24	2107-24-24-SS	85	85		
2-11.5	2-11.5	66.7	63.5	46.1	49.2	58	76	69	1910	2107-32-32	2107-32-32-SS	75	75		

Order codes shown are part of our current manufacturing programme.

Imperial and metric parts may vary in hexagon dimensions.

$$\frac{\text{PN (bar)}}{10} = \text{PN (MPa)}$$

Do not create drawings from these dimensions, they are subject to change and ISO manufacturing allowances.

N