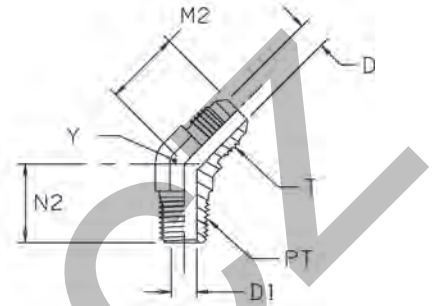


**VMTX 45° Male stud elbow**

Triple-Lok® 37° Flare end / Male NPTF\* thread (SAE 476)

SAE 070302 MS51508

\*Stainless Steel = NPT to prevent galling



Tube O.D.		Thread NPT/NPTF PT	Thread UN/UNF-2A T	D mm	D1 mm	M2 mm	N2 mm	Y mm	Weight (steel) g/1 piece	Triple-Lok® Steel	Triple-Lok® Stainless Steel	Triple-Lok® Brass	PN (bar)	
mm	in.												S	SS
6	1/4	1/8-27	7/16-20	4.4	4.8	18	16	11.0	18	4 VTX-S	4 VTX-SS	4 VTX-B	420	350
6	1/4	1/4-18	7/16-20	4.4	7.0	21	22	14.0	30	4-4 VTX-S	4-4 VTX-SS	4-4 VTX-B	420	350
6	1/4	3/8-18	9/16-18	4.4	10.3	22	24	19.0	54	4-6 VTX-S			420	350
8	5/16	1/8-27	1/2-20	6.0	4.8	20	16	14.0	22	5 VTX-S	5 VTX-SS	5 VTX-B	420	350
8	5/16	1/4-18	1/2-20	6.0	7.0	21	22	14.0	31	5-4 VTX-S	5-4 VTX-SS	5-4 VTX-B	420	350
10	3/8	1/4-18	9/16-18	7.5	7.0	21	22	14.0	27	6 VTX-S	6 VTX-SS	6 VTX-B	420	350
10	3/8	1/8-27	9/16-18	7.5	4.7	21	17	14.0	23	6-2 VTX-S	6-2 VTX-SS	6-2 VTX-B	420	350
10	3/8	3/8-18	9/16-18	7.5	10.3	22	24	19.0	52	6-6 VTX-S	6-6 VTX-SS	6-6 VTX-B	420	350
10	3/8	1/2-14	9/16-18	7.5	13.5	22	30	22.0	74	6-8 VTX-S	6-8 VTX-SS	6-8 VTX-B	420	350
12	1/2	1/4-18	3/4-16	9.9	7.0	25	24	19.0	62	8-4 VTX-S	8-4 VTX-SS	8-4 VTX-B	420	350
12	1/2	3/8-18	3/4-16	9.9	10.3	25	24	19.0	61	8 VTX-S	8 VTX-SS	8 VTX-B	420	350
12	1/2	1/2-14	3/4-16	9.9	13.5	25	30	22.0	92	8-8 VTX-S	8-8 VTX-SS	8-8 VTX-B	420	350
12	1/2	3/4-14	3/4-16	9.9	18.2	26	31	27.0	144	8-12 VTX-S	8-12 VTX-SS	8-12 VTX-B	280	280
14, 15,16	5/8	1/2-14	7/8-14	12.3	13.5	28	30	22.0	92	10 VTX-S	10 VTX-SS	10 VTX-B	350	350
14, 15,16	5/8	3/8-18	7/8-14	12.3	10.3	28	25	22.0	94	10-6 VTX-S	10-6 VTX-SS	10-6 VTX-B	350	350
14, 15,16	5/8	3/4-14	7/8-14	12.3	18.2	33	31	27.0	156	10-12 VTX-S	10-12 VTX-SS		280	280
18, 20	3/4	3/4-14	1 1/16-12	15.5	18.2	33	31	27.0	148	12 VTX-S	12 VTX-SS	12 VTX-B	280	280
18, 20	3/4	1/2-14	1 1/16-12	15.5	13.5	33	31	27.0	144	12-8 VTX-S	12-8 VTX-SS	12-8 VTX-B	350	350
18, 20	3/4	1-11.5	1 1/16-12	15.5	23.8	36	38	33.3	169	12-16 VTX-S	12-16 VTX-SS	12-16 VTX-B	210	210
25	1	1-11.5	1 5/16-12	21.4	23.8	37	38	33.3	239	16 VTX-S	16 VTX-SS	16 VTX-B	210	210
25	1	3/4-14	1 5/16-12	21.4	18.2	37	33	33.3	213	16-12 VTX-S	16-12 VTX-SS	16-12 VTX-B	280	280
28, 30, 32	1 1/4	1 1/4-11.5	1 5/8-12	27.4	31.8	40	42	41.0	385	20 VTX-S	20 VTX-SS	20 VTX-B	170	170
35, 38	1 1/2	1 1/2-11.5	1 7/8-12	33.3	38.0	45	45	47.6	495	24 VTX-S	24 VTX-SS	24 VTX-B	170	140
	2	2-11.5	2 1/2-12	45.0	49.0	56	54	63.5	1149	32 VTX-S			170	140

Order codes shown are part of our current manufacturing programme.

Imperial and metric parts may vary in hexagon dimensions.

$$\frac{PN \text{ (bar)}}{10} = PN \text{ (MPa)}$$

Pressure ratings – PN shown, apply to Steel and Stainless Steel versions of the product.

For Brass parts reduce pressures by 35%.

Do not create drawings from these dimensions, they are subject to change and ISO manufacturing allowances.