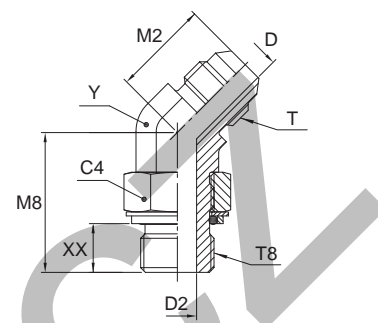


V8OMX 45° Male stud elbow

Triple-Lok® 37° Flare end / Male metric thread – O-ring + retaining ring



Tube O.D. mm	Tube O.D. in.	Thread Metric T8	Thread UN/UNF-2A T	C4 mm	D mm	D2 mm	M2 mm	M8 mm	XX mm	Y mm	Weight (steel) g/1 piece	Triple-Lok® Steel	PN (bar)
6	1/4	M 10×1.0	7/16-20	14	4.4	4.5	18	27	20	11	23	4M10V8OMXS	250
6	1/4	M 12×1.5	7/16-20	17	4.4	6.0	20	27	18	13	25	4M12V8OMXS	250
8	5/16	M 12×1.5	1/2-20	17	6.0	6.0	20	28	18	13	28	5M12V8OMXS	250
10	3/8	M 14×1.5	9/16-18	17	7.5	7.5	21	28	19	14	36	6M14V8OMXS	250
12	1/2	M 16×1.5	3/4-16	19	9.9	9.0	25	33	23	19	68	8M16V8OMXS	250
12	1/2	M 18×1.5	3/4-16	22	9.9	11.0	25	33	22	19	78	8M18V8OMXS	250
14, 15, 16	5/8	M 22×1.5	7/8-14	27	12.3	14.0	28	38	27	22	119	10M22V8OMXS	250
18, 20	3/4	M 27×2.0	1 1/16-12	32	15.5	18.0	33	46	32	27	208	12M27V8OMXS	175
25	1	M 33×2.0	1 5/16-12	38	21.5	23.0	37	46	32	33	333	16M33V8OMXS	140

Steel, stainless steel and brass Triple-Lok® parts are delivered with NBR elastomeric seals as standard. For more details on other seal materials see page K92.

Order codes shown are part of our current manufacturing programme.

Imperial and metric parts may vary in hexagon dimensions.

$$\frac{\text{PN (bar)}}{10} = \text{PN (MPa)}$$

Do not create drawings from these dimensions, they are subject to change and ISO manufacturing allowances.