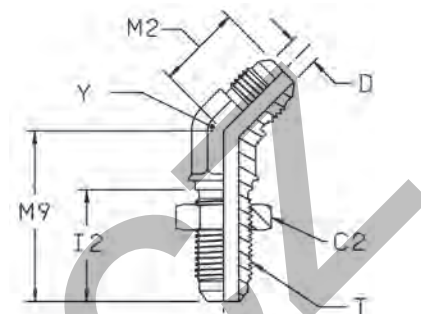


WNTX 45° Bulkhead union elbow

Triple-Lok® 37° Flare ends
SAE 070801 MS51509



Tube O.D.		Thread UN/UNF-2A T	C2 mm	D mm	I2 mm	M2 mm	M9 mm	Y mm	Weight (steel) g/1 piece	Triple-Lok® Steel	Triple-Lok®		PN (bar)	
mm	in.										Stainless Steel	S	SS	
6	1/4	7/16-20	17.5	4.4	26	18	39	11	32	4 WNTX-WLN-S	4 WNTX-WLN-SS	500	350	
8	5/16	1/2-20	19.0	6.0	26	20	42	14	41	5 WNTX-WLN-S		420	—	
10	3/8	9/16-18	20.5	7.5	28	21	42	14	48	6 WNTX-WLN-S	6 WNTX-WLN-SS	420	350	
12	1/2	3/4-16	25.5	9.9	32	33	62	19	105	8 WNTX-WLN-S	8 WNTX-WLN-SS	420	350	
14, 15, 16	5/8	7/8-14	28.5	12.3	35	28	55	22	152	10 WNTX-WLN-S	10 WNTX-WLN-SS	350	350	
18, 20	3/4	1 1/16-12	35.0	15.5	40	33	62	27	245	12 WNTX-WLN-S	12 WNTX-WLN-SS	350	350	
22, 25	1	1 5/16-12	41.0	21.5	40	37	65	33	355	16 WNTX-WLN-S	16 WNTX-WLN-SS	280	280	
28, 30, 32	1 1/4	1 5/8-12	47.6	27.4	41	40	67	41	465	20 WNTX-WLN-S		280	—	

Order codes shown are part of our current manufacturing programme.

Imperial and metric parts may vary in hexagon dimensions.

For the version without the locknut remove "WLN" (e.g. 16 WNTX)

$$\frac{\text{PN (bar)}}{10} = \text{PN (MPa)}$$

Do not create drawings from these dimensions, they are subject to change and ISO manufacturing allowances.

Maximum bulkhead wallthickness

Size	Tube O.D.		Straight bulkhead union Max. thickness mm	Shape bulkhead union Max. thickness mm
	inch	metric		
4	1/4	6	8.4	5.3
5	5/16	8	8.4	5.3
6	3/8	10	10.7	7.1
8	1/2	12	11.2	8.4
10	5/8	14-16	10.9	8.1
12	3/4	18-20	11.2	8.6
14	7/8		10.4	7.9
16	1	22-25	9.9	7.4
20	1 1/4	28-32	10.2	7.4
24	1 1/2	35-38	7.1	—
32	2		7.1	—

