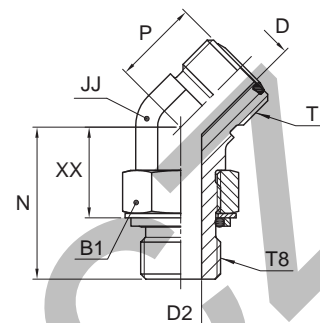


## V8OMLO 45° male stud elbow

O-Lok® ORFS tube end / Male metric thread – O-ring + retaining ring



Tube O.D. mm	Tube O.D. in.	Thread metric T8	Thread UN/UNF-2A T	B1 mm	D mm	D2 mm	JJ* mm	P mm	N mm	XX mm	Weight (steel) g/1 piece	O-Lok® Steel	PN (bar)
6	1/4	M 12×1.5	9/16-18	17	4.5	4	14	16	30	19	44	<b>4M12V8OMLOS</b>	250
10	3/8	M 16×1.5	11/16-16	19	6.5	7	19	19	33	19	82	<b>6M16V8OMLOS</b>	250
12	1/2	M 14×1.5	13/16-16	17	9.5	6	19	20	32	21	92	<b>8M14V8OMLOS</b>	250
12	1/2	M 18×1.5	13/16-16	22	9.5	9	19	20	37	21	110	<b>8M18V8OMLOS</b>	250
14, 15, 16	5/8	M 18×1.5	1-14	22	12.5	9	27	24	43	27	160	<b>10M18V8OMLOS</b>	250
14, 15, 16	5/8	M 22×1.5	1-14	27	12.5	12	27	23	44	27	190	<b>10M22V8OMLOS</b>	250
18, 20	3/4	M 27×2.0	1 3/16-12	32	15.5	15	30	26	50	30	288	<b>12M27V8OMLOS</b>	250
25	1	M 33×2.0	1 7/16-12	38	20.5	20	36	30	52	32	300	<b>16M33V8OMLOS</b>	140
28, 30, 32	1 1/4	M 42×2.0	1 11/16-12	50	26.0	26	41	32	54	33	444	<b>20M42V8OMLOS</b>	140
35, 38	1 1/2	M 48×2.0	2-12	55	32.0	32	50	37	56	32	568	<b>24M48V8OMLOS</b>	140

Product delivered with NBR TRAP seal. Replacement of TRAP seal is with a standard NBR O-ring – see page J73-J74.

Part numbers shown are part of our current manufacturing programme.

Imperial and metric parts may vary in hexagon dimensions.

$$\frac{\text{PN (bar)}}{10} = \text{PN (MPa)}$$

Do not create drawings from these dimensions, they are subject to change and ISO manufacturing allowances.

\*JJ may vary in stainless steel

J