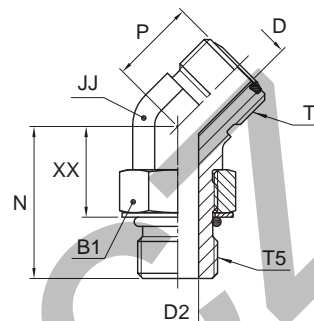


## V5OMLO 45° male stud elbow

O-Lok® ORFS tube end / Adjustable UN/UNF thread O-ring (ISO 11926)  
SAE 520320



Tube O.D.		Thread UN/UNF-2A T5	Thread UN/UNF-2A T	B1	D	D2	JJ*	P	N	XX	Weight (steel)	O-Lok® Steel	O-Lok® Stainless Steel	PN (bar)	
mm	in.			mm	mm	mm	mm	mm	mm	mm	g/1 piece			S	SS
6	1/4	7/16-20	9/16-18	17	4.5	4.5	14	16	30	19	45		<b>4V5OMLOSS</b>		420
6	1/4	7/16-20	9/16-18	16	4.5	4.5	14	16	30	19	45	<b>4 V5OLO-S</b>		630	
6	1/4	9/16-18	9/16-18	19	4.5	7.5	19	17	33	20	76	<b>4-6 V5OLO-S</b>	<b>4-6V5OMLOSS</b>	630	420
8, 10	3/8	9/16-18	11/16-16	19	6.5	7.5	19	19	33	20	83	<b>6 V5OLO-S</b>	<b>6V5OMLOSS</b>	630	420
8, 10	3/8	7/16-20	11/16-16	16	6.5	4.5	19	19	31	20	64	<b>6-4 V5OLO-S</b>	<b>6-4V5OMLOSS</b>	630	420
8, 10	3/8	3/4-16	11/16-16	24	6.5	10.0	19	19	36	22	96	<b>6-8 V5OLO-S</b>	<b>6-8V5OMLOSS</b>	630	420
12	1/2	3/4-16	13/16-16	24	9.5	10.0	19	20	36	23	117	<b>8 V5OLO-S</b>	<b>8V5OMLOSS</b>	630	420
12	1/2	9/16-18	13/16-16	19	9.5	7.5	19	20	32	20	71	<b>8-6 V5OLO-S</b>	<b>8-6V5OMLOSS</b>	630	420
12	1/2	7/8-14	13/16-16	27	9.5	12.5	19	21	45	29	147	<b>8-10 V5OLO-S</b>	<b>8-10V5OMLOSS</b>	420	420
14, 15, 16	5/8	7/8-14	1-14	27	12.5	12.5	27	23	45	28	194	<b>10 V5OLO-S</b>	<b>10V5OMLOSS</b>	420	420
14, 15, 16	5/8	3/4-16	1-14	24	12.5	10.0	27	23	40	26	192	<b>10-8 V5OLO-S</b>	<b>10-8V5OMLOSS</b>	420	420
14, 15, 16	5/8	1 1/16-12	1-14	35	12.5	15.5	30	24	50	31	207	<b>10-12 V5OLO-S</b>	<b>10-12V5OMLOSS</b>	420	420
18, 20	3/4	1 1/16-12	1 3/16-12	35	15.5	15.5	30	26	50	31	294	<b>12V5OMLO-S</b>	<b>12V5OMLOSS</b>	420	420
18, 20	3/4	7/8-14	1 3/16-12	27	15.5	12.5	30	26	46	29	219	<b>12-10 V5OLO-S</b>	<b>12-10V5OMLOSS</b>	420	420
18, 20	3/4	1 5/16-12	1 3/16-12	41	15.5	21.5	36	30	52	33	322	<b>12-16 V5OLO-S</b>	<b>12-16V5OMLOSS</b>	420	380
22, 25	1	1 5/16-12	1 7/16-12	41	20.5	21.5	36	30	52	33	394	<b>16V5OMLOS</b>	<b>16V5OMLOSS</b>	420	380
22, 25	1	1 1/16-12	1 7/16-12	36	20.5	15.5	36	30	52	33	337		<b>16-12V5OMLOSS</b>		420
22, 25	1	1 1/16-12	1 7/16-12	35	20.5	15.5	36	30	52	33	337	<b>16-12 V5OLO-S</b>			420
22, 25	1	1 5/8-12	1 7/16-12	48	20.5	27.5	41	32	54	35	511	<b>16-20 V5OLO-S</b>	<b>16-20V5OMLOSS</b>	420	280
28, 30, 32	1 1/4	1 5/8-12	1 11/16-12	48	26.0	27.5	41	32	54	35	447	<b>20 V5OLO-S</b>	<b>20V5OMLOSS</b>	350	280
35, 38	1 1/2	1 7/8-12	2-12	54	32.0	33.5	48	37	54	35	571	<b>24 V5OLO-S</b>	<b>24V5OMLOSS</b>	280	280

Product delivered with NBR TRAP seal. Replacement of TRAP seal is with a standard NBR O-ring – see page J73-J74.

Part numbers shown are part of our current manufacturing programme.

Imperial and metric parts may vary in hexagon dimensions.

$$\frac{\text{PN (bar)}}{10} = \text{PN (MPa)}$$

Do not create drawings from these dimensions, they are subject to change and ISO manufacturing allowances.

\*JJ may vary in stainless steel

J