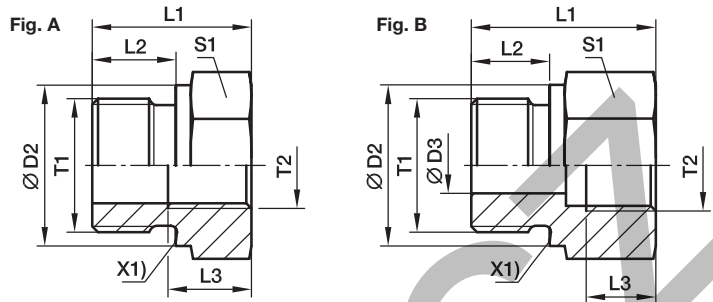


RI Thread reducer/expander

Male BSPP thread – metal sealing edge (ISO 1179) / Female BSPP thread (ISO 1179-1)



| Male Stud T1 | Female Stud T2 | D2 | D3 | L1 | L2 | L3 | S1 | Fig. | Weight g/1 piece | Order code* | PN (bar) ¹⁾ | | |
|-----------------|-------------------|----|----|------|----|------|----|------|---------------------|-------------|------------------------|-----|-----|
| | | | | | | | | | | | Steel | 71 | MS |
| G 1/8 A | G 1/4 | 14 | 4 | 31.0 | 8 | 12.0 | 19 | B | 42 | RI1/8X1/4 | 400 | 400 | 250 |
| G 1/8 A | G 3/8 | 14 | 4 | 32.0 | 8 | 12.0 | 24 | B | 63 | RI1/8X3/8 | 400 | 400 | 250 |
| G 1/4 A | G 1/8 | 18 | 5 | 28.0 | 12 | 8.0 | 19 | B | 38 | RI1/4X1/8 | 400 | 400 | 250 |
| G 1/4 A | G 3/8 | 18 | 5 | 36.0 | 12 | 12.0 | 24 | B | 69 | RI1/4X3/8 | 400 | 400 | 250 |
| G 1/4 A | G 1/2 | 18 | 5 | 40.0 | 12 | 14.0 | 30 | B | 116 | RI1/4X1/2 | 400 | 400 | 250 |
| G 1/4 A | G 3/4 | 18 | 5 | 43.0 | 12 | 16.0 | 36 | B | 170 | RI1/4X3/4 | 315 | 315 | 200 |
| G 3/8 A | G 1/8 | 22 | | 22.5 | 12 | 8.0 | 22 | A | 39 | RI3/8X1/8 | 400 | 400 | 250 |
| G 3/8 A | G 1/4 | 22 | 8 | 36.0 | 12 | 12.0 | 22 | B | 68 | RI3/8X1/4 | 400 | 400 | 250 |
| G 3/8 A | G 1/2 | 22 | 8 | 41.0 | 12 | 14.0 | 30 | B | 125 | RI3/8X1/2 | 400 | 400 | 250 |
| G 3/8 A | G 3/4 | 22 | 8 | 44.0 | 12 | 16.0 | 36 | B | 183 | RI3/8X3/4 | 315 | 315 | 200 |
| G 1/2 A | G 1/8 | 26 | | 24.0 | 14 | 8.0 | 27 | A | 66 | RI1/2X1/8 | 400 | 400 | 250 |
| G 1/2 A | G 1/4 | 26 | | 24.0 | 14 | 12.0 | 27 | A | 56 | RI1/2X1/4 | 315 | 315 | 200 |
| G 1/2 A | G 3/8 | 26 | 12 | 37.0 | 14 | 12.0 | 27 | B | 94 | RI1/2X3/8 | 315 | 315 | 200 |
| G 1/2 A | G 3/4 | 26 | 12 | 46.0 | 14 | 16.0 | 36 | B | 182 | RI1/2X3/4 | 315 | 315 | 200 |
| G 1/2 A | G 1 | 26 | 12 | 49.0 | 14 | 18.0 | 41 | B | 221 | RI1/2X1 | 315 | 315 | 200 |
| G 1/2 A | G 1 1/4 | 26 | 10 | 53.0 | 14 | 20.0 | 55 | B | 482 | RI1/2X11/4 | 160 | 160 | |
| G 3/4 A | G 1/4 | 32 | | 26.0 | 16 | 12.0 | 32 | A | 103 | RI3/4X1/4 | 315 | 315 | 200 |
| G 3/4 A | G 3/8 | 32 | | 26.0 | 16 | 12.0 | 32 | A | 87 | RI3/4X3/8 | 315 | 315 | 200 |
| G 3/4 A | G 1/2 | 32 | 16 | 40.0 | 16 | 14.0 | 32 | B | 143 | RI3/4X1/2 | 315 | 315 | 200 |
| G 3/4 A | G 1 | 32 | 16 | 51.0 | 16 | 18.0 | 41 | B | 235 | RI3/4X1 | 315 | 315 | 200 |
| G 3/4 A | G 1 1/4 | 32 | 16 | 55.0 | 16 | 20.0 | 55 | B | 481 | RI3/4X11/4 | 160 | 160 | |
| G 3/4 A | G 1 1/2 | 32 | 16 | 57.0 | 16 | 22.0 | 60 | B | 560 | RI3/4X11/2 | 160 | 160 | |
| G 1 A | G 1/4 | 39 | | 29.0 | 18 | 12.0 | 41 | A | 195 | RI1X1/4 | 315 | 315 | |
| G 1 A | G 3/8 | 39 | | 29.0 | 18 | 12.0 | 41 | A | 179 | RI1X3/8 | 315 | 315 | 200 |
| G 1 A | G 1/2 | 39 | | 29.0 | 18 | 14.0 | 41 | A | 157 | RI1X1/2 | 315 | 315 | 200 |
| G 1 A | G 3/4 | 39 | 20 | 47.0 | 18 | 16.0 | 41 | B | 278 | RI1X3/4 | 315 | 315 | 200 |
| G 1 A | G 1 1/4 | 39 | 20 | 57.0 | 18 | 20.0 | 55 | B | 530 | RI1X11/4 | 160 | 160 | 100 |
| G 1 A | G 1 1/2 | 39 | 20 | 59.0 | 18 | 22.0 | 60 | B | 585 | RI1X11/2 | 160 | 160 | 100 |
| G 1 1/4 A | G 1/2 | 49 | | 32.0 | 20 | 14.0 | 50 | A | 308 | RI11/4X1/2 | 160 | 160 | 100 |
| G 1 1/4 A | G 3/4 | 49 | | 32.0 | 20 | 16.0 | 50 | A | 267 | RI11/4X3/4 | 160 | 160 | 100 |
| G 1 1/4 A | G 1 | 49 | 25 | 52.0 | 20 | 18.0 | 50 | B | 458 | RI11/4X1 | 160 | 160 | 100 |
| G 1 1/4 A | G 1 1/2 | 49 | 25 | 60.0 | 20 | 22.0 | 60 | B | 616 | RI11/4X11/2 | 160 | 160 | 100 |
| G 1 1/2 A | G 1/2 | 55 | | 36.0 | 22 | 14.0 | 55 | A | 477 | RI11/2X1/2 | 160 | 160 | 100 |
| G 1 1/2 A | G 3/4 | 55 | | 36.0 | 22 | 16.0 | 55 | A | 402 | RI11/2X3/4 | 160 | 160 | 100 |
| G 1 1/2 A | G 1 | 55 | | 36.0 | 22 | 18.0 | 55 | A | 337 | RI11/2X1 | 160 | 160 | 100 |
| G 1 1/2 A | G 1 1/4 | 55 | 32 | 58.0 | 22 | 20.0 | 55 | B | 542 | RI11/2X11/4 | 160 | 160 | 100 |
| G 2 A | G 1 1/2 | 68 | 40 | 62.0 | 24 | 22.0 | 70 | B | 990 | RI2X11/2 | 160 | 160 | |

¹⁾ Pressure shown = item deliverable

$$\frac{\text{PN (bar)}}{10} = \text{PN (MPa)}$$

*Please add the **suffixes** below according to the material/surface required.

| Order code suffixes | | |
|---------------------|-----------------------------|------------|
| Material | Suffix surface and material | Example |
| Steel | CFX | RI1X1/2CFX |
| Stainless Steel | 71X | RI1X1/271X |
| Brass | MSX | RI1X1/2MSX |