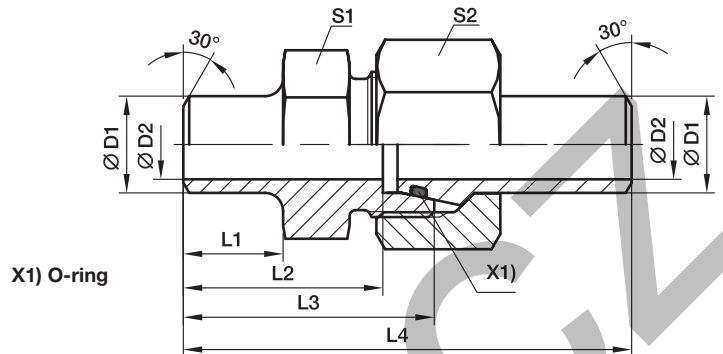


ASK Weld fitting for tubes

Butt weld / Butt weld



Series	D1 	D2	L1	L2	L3	L4	S1	S2	recommended tube	Weight g/1 piece	Order code	PN (bar) ¹⁾	
												Steel	Stainless Steel
S ⁴⁾	10	8	10.0	24.5	32.0	58.0	19	22	10x1.0	75	ASK610X1S	249	242
	10	7	10.0	24.5	32.0	58.0	19	22	10x1.5	81	ASK610X1.5S	358	349
	10	6	10.0	24.5	32.0	58.0	19	22	10x2.0	86	ASK610X2S	460	447
	12	9	15.0	29.5	37.0	63.0	22	24	12x1.5	106	ASK612X1.5S	305	297
	12	8	15.0	29.5	37.0	63.0	22	24	12x2.0	107	ASK612X2S	393	383
	12	7	15.0	29.5	37.0	63.0	22	24	12x2.5	109	ASK612X2.5S	476	463
	16	13	16.5	33.0	41.5	73.5	27	30	16x1.5	166	ASK616X1.5S	234	228
	16	12	16.5	33.0	41.5	73.5	27	30	16x2.0	175	ASK616X2S	305	297
	16	11	16.5	33.0	41.5	73.5	27	30	16x2.5	184	ASK616X2.5S	372	362
	16	10	16.5	33.0	41.5	73.5	27	30	16x3.0	193	ASK616X3S	400	400
	20	16	19.0	36.5	47.0	83.5	32	36	20x2.0	301	ASK620X2S	249	242
	20	15	19.0	36.5	47.0	83.5	32	36	20x2.5	311	ASK620X2.5S	305	297
	20	14	19.0	36.5	47.0	83.5	32	36	20x3.0	316	ASK620X3S	358	349
	20	12	19.0	36.5	47.0	83.5	32	36	20x4.0	322	ASK620X4S	400	400
	25	19	19.5	39.5	51.5	92.5	41	46	25x3.0	551	ASK625X3S	294	286
	25	17	19.5	39.5	51.5	92.5	41	46	25x4.0	559	ASK625X4S	379	369
	25	15	19.5	39.5	51.5	92.5	41	46	25x5.0	589	ASK625X5S	400	400
	30	24	23.0	44.5	58.0	101.5	46	50	30x3.0	671	ASK630X3S	249	242
	30	22	23.0	44.5	58.0	101.5	46	50	30x4.0	679	ASK630X4S	323	314
	30	20	23.0	44.5	58.0	101.5	46	50	30x5.0	726	ASK630X5S	393	383
	30	18	23.0	44.5	58.0	101.5	46	50	30x6.0	791	ASK630X6S	400	400
	38	30	22.0	44.0	60.0	108.0	55	60	38x4.0	988	ASK638X4S	261	254
	38	28	22.0	44.0	60.0	108.0	55	60	38x5.0	1044	ASK638X5S	315	311
	38	26	22.0	44.0	60.0	108.0	55	60	38x6.0	1108	ASK638X6S	315	315
	38	24	22.0	44.0	60.0	108.0	55	60	38x7.0	1205	ASK638X7S	315	315

¹⁾ Pressure shown = item deliverable

⁴⁾ S = heavy series

$\frac{\text{PN (bar)}}{10} = \text{PN (MPa)}$

*Please add the **suffixes** below according to the material/surface required.

Order code suffixes			
Material	Suffix surface and material	Example	Standard sealing material (no additional suffix needed)
Steel		ASK616X2S	NBR
Stainless Steel	71	ASK616X2S71	VIT