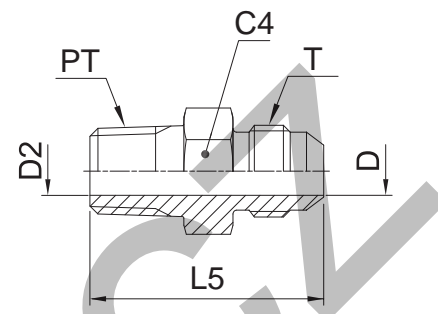


FMTX Male stud connector

Triple-Lok® 37° Flare end / Male NPTF* thread (SAE 476)

SAE 070102 MS51500

*Stainless Steel = NPT to prevent galling



Tube O.D.		Thread NPT/NPTF PT	Thread UN/UNF-2A T	C4 mm	D mm	D2 mm	L5 mm	Weight (steel) g/1 piece	Triple-Lok® Steel	Triple-Lok® Stainless Steel	PN (bar)	
mm	in.										S	SS
5	1/8	1/8-27	5/16-24	11.0	1.6	4.7	28.0	10	2 FTX-S		420	—
	3/16	1/8-27	3/8-24	11.0	3.0	3.0	29.0	12	3 FTX-S		420	—
	1/4	1/8-27	7/16-20	13.0	4.4	4.4	31.0	14	4FMTXS	4FMTXSS	420	350
	1/4	1/4-18	7/16-20	14.0	4.4	4.4	36.0	26	4-4FMTXS	4-4FMTXSS	420	350
	1/4	3/8-18	7/16-20	19.0	4.4	4.4	36.5	26	4-6 FTX-S	4-6FMTXSS	420	350
6	1/4	1/2-14	7/16-20	22.3	4.4	4.4	43.0	26	4-8 FTX-S	4-8FMTXSS	420	350
	5/16	1/8-27	1/2-20	14.0	6.0	5.0	31.0	17	5FMTXS	5FMTXSS	420	350
	5/16	1/4-18	1/2-20	14.0	6.0	6.0	36.0	25	5-4FMTXS	5-4FMTXSS	420	350
	5/16	3/8-18	1/2-20	19.0	6.0	6.0	36.0	30	5-6FMTXS	5-6FMTXSS	420	350
	3/8	1/4-18	9/16-18	17.0	7.5	7.5	36.5	25	6FMTXS	6FMTXSS	420	350
10	3/8	1/8-27	9/16-18	16.0	7.5	4.7	31.5	21	6-2 FTX-S	6-2FMTXSS	420	350
	3/8	3/8-18	9/16-18	19.0	7.5	7.5	36.5	39	6-6FMTXS	6-6FMTXSS	420	350
	3/8	1/2-14	9/16-18	22.0	7.5	7.5	43.0	47	6-8FMTXS	6-8FMTXSS	420	350
	3/8	3/4-14	9/16-18	28.6	7.5	15.5	42.0	109	6-12 FTX-S	6-12FMTXSS	420	350
	1/2	3/8-18	3/4-16	19.0	9.9	9.9	39.0	45	8FMTXS	8FMTXSS	420	350
12	1/2	1/4-18	3/4-16	19.0	9.9	7.0	39.0	42	8-4FMTXS	8-4FMTXSS	420	350
	1/2	1/2-14	3/4-16	22.0	9.9	9.9	45.5	74	8-8FMTXS	8-8FMTXSS	420	350
	1/2	3/4-14	3/4-16	27.0	9.9	9.9	47.0	121	8-12FMTXS	8-12FMTXSS	380	350
	5/8	1/2-14	7/8-14	24.0	12.3	12.3	48.0	77	10FMTXS	10FMTXSS	350	350
	5/8	3/8-18	7/8-14	24.0	12.3	10.0	43.0	63	10-6FMTXS	10-6FMTXSS	350	350
14, 15, 16	5/8	3/4-14	7/8-14	27.0	12.3	12.3	49.5	122	10-12FMTXS	10-12FMTXSS	350	350
	3/4	3/4-14	1 1/16-12	27.0	15.5	15.5	53.0	123	12FMTXS	12FMTXSS	350	350
	3/4	3/8-18	1 1/16-12	28.5	15.5	10.3	47.5	90	12-6 FTX-S	12-6FMTXSS	350	350
	3/4	1/2-14	1 1/16-12	28.5	15.5	13.5	52.0	103	12-8 FTX-S	12-8FMTXSS	350	350
	3/4	1-11.5	1 1/16-12	35.0	15.5	15.5	57.0	176	12-16 FTX-S	12-16FMTXSS	310	280
22	7/8	3/4-14	1 3/16-12	31.7	18.3	18.3	53.0	137	14 FTX-S	14FMTXSS	280	245
	1	1-11.5	1 5/16-12	36.0	21.5	21.5	58.5	189	16FMTXS	16FMTXSS	280	280
	1	1/2-14	1 5/16-12	36.0	21.5	18.0	53.5	110	16-8 FTX-S	16-8FMTXSS	280	280
	1	3/4-14	1 5/16-12	36.0	21.5	18.0	53.5	149	16-12FMTXS	16-12FMTXSS	280	280
	1	1 1/4-11.5	1 5/16-12	47.6	21.4	21.4	54.0	331	16-20 FTX-S	16-20FMTXSS	280	280
28, 30, 32	1 1/4	1 1/4-11.5	1 5/8-12	46.0	27.5	32.0	62.0	315	20FMTXS	20FMTXSS	210	210
	1 1/4	1-11.5	1 5/8-12	43.0	27.5	23.8	61.5	248	20-16 FTX-S	20-16FMTXSS	280	210
	1 1/2	1 1/2-11.5	1 7/8-12	50.0	33.0	38.0	68.0	430	24FMTXS	24FMTXSS	210	140
	1 1/2	1-11.5	1 7/8-12	51.0	33.3	24.0	66.5	310	24-16 FTX-S	24-16FMTXSS	210	140
	1 1/2	1 1/4-11.5	1 7/8-12	51.0	33.3	31.7	67.5	359	24-20 FTX-S	24-20FMTXSS	210	140
35, 38	1 1/2	2-11.5	1 7/8-12	66.7	33.3	33.3	72.5	720	24-32 FTX-S	24-32FMTXSS	140	140
	2	2-11.5	2 1/2-12	66.7	45.2	45.2	79.0	858	32 FTX-S	32FMTXSS	140	105
	2	1 1/2-11.5	2 1/2-12	66.7	45.2	38.0	78.0	720	32-24 FTX-S	32-24FMTXSS	140	105

Order codes shown are part of our current manufacturing programme.

Imperial and metric parts may vary in hexagon dimensions.

$$\frac{\text{PN (bar)}}{10} = \text{PN (MPa)}$$

Pressure ratings – PN shown, apply to Steel and Stainless Steel versions of the product.

For Brass parts reduce pressures by 35%.

Do not create drawings from these dimensions, they are subject to change and ISO manufacturing allowances.