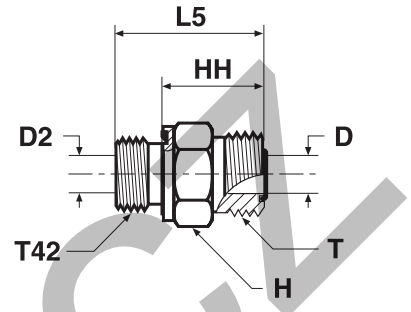


F42EDMLO Male stud connector

O-Lok® ORFS tube end / Male BSPP thread – ED seal (ISO 1179)



Tube O.D.		BSPP male thread T42	Thread UN/UNF-2A T	D mm	D2 mm	H mm	HH mm	L5 mm	Weight (steel) g/1 piece	O-Lok® Steel	O-Lok® Stainless Steel		PN (bar)	
mm	in.										S	SS	S	SS
6	1/4	1/8-28	9/16-18	4.5	4.0	17	18	26	25	4F42EDMLOS	4F42EDMLOSS	630	630	
6	1/4	1/4-19	9/16-18	4.5	4.5	19	19	31	36	4-4F42EDMLOS	4-4F42EDMLOSS	630	630	
6	1/4	3/8-19	9/16-18	4.5	4.5	22	20	32	52	4-6F42EDMLOS	4-6F42EDMLOSS	630	630	
6	1/4	1/2-14	9/16-18	4.5	4.5	27	22	36	89	4-8F42EDMLOS	4-8F42EDMLOSS	420	420	
8, 10	5/16, 3/8	1/4-19	11/16-16	6.5	5.0	19	20	32	42	6F42EDMLOS	6F42EDMLOSS	630	630	
8, 10	5/16, 3/8	1/8-28	11/16-16	6.5	4.0	19	23	31	43	6-2F42EDMLOS	6-2F42EDMLOSS	630	630	
8, 10	5/16, 3/8	3/8-19	11/16-16	6.5	6.5	22	21	33	56	6-6F42EDMLOS	6-6F42EDMLOSS	630	630	
8, 10	5/16, 3/8	1/2-14	11/16-16	6.5	6.5	27	23	37	94	6-8F42EDMLOS	6-8F42EDMLOSS	420	420	
8, 10	5/16, 3/8	3/4-14	11/16-16	6.5	16.0	32	24	40	126	6-12F42EDMLOS	6-12F42EDMLOSS	420	420	
12	1/2	3/8-19	13/16-16	9.5	8.0	22	23	35	59	8F42EDMLOS	8F42EDMLOSS	630	630	
12	1/2	1/4-19	13/16-16	9.5	5.0	22	26	38	64	8-4F42EDMLOS	8-4F42EDMLOSS	630	630	
12	1/2	1/2-14	13/16-16	9.5	9.5	27	25	39	92	8-8F42EDMLOS	8-8F42EDMLOSS	420	420	
12	1/2	3/4-14	13/16-16	9.5	9.5	32	26	42	152	8-12F42EDMLOS	8-12F42EDMLOSS	420	420	
14, 15, 16	5/8	1/2-14	1-14	12.5	12.5	27	27	41	102	10F42EDMLOS	10F42EDMLOSS	420	420	
14, 15, 16	5/8	3/8-19	1-14	12.5	8.0	27	31	43	117	10-6F42EDMLOS	10-6F42EDMLOSS	420	420	
14, 15, 16	5/8	3/4-14	1-14	12.5	12.5	32	29	45	158	10-12F42EDMLOS	10-12F42EDMLOSS	420	420	
14, 15, 16	5/8	1-11	1-14	12.5	12.5	41	30	48	261	10-16F42EDMLOS	10-16F42EDMLOSS	420	420	
18, 20	3/4	3/4-14	1 3/16-12	15.5	15.5	32	30	46	159	12F42EDMLOS	12F42EDMLOSS	420	420	
18, 20	3/4	1/2-14	1 3/16-12	15.5	12.0	32	35	49	171	12-8F42EDMLOS	12-8F42EDMLOSS	420	420	
18, 20	3/4	1-11	1 3/16-12	15.5	15.5	41	32	50	269	12-16F42EDMLOS	12-16F42EDMLOSS	420	420	
18, 20	3/4	1 1/4-11	1 3/16-12	15.5	16.0	50	34	54	462	12-20F42EDMLOS	12-20F42EDMLOSS	420	420	
22, 25	1	1-11	1 7/16-12	20.5	20.0	41	32	50	266	16F42EDMLOS	16F42EDMLOSS	420	420	
22, 25	1	1/2-14	1 7/16-12	20.5	12.0	41	36	50	267	16-8F42EDMLOS	16-8F42EDMLOSS	420	420	
22, 25	1	3/4-14	1 7/16-12	20.5	16.0	41	36	52	276	16-12F42EDMLOS	16-12F42EDMLOSS	420	420	
22, 25	1	1 1/4-11	1 7/16-12	20.5	20.5	50	34	54	456	16-20F42EDMLOS	16-20F42EDMLOSS	420	420	
22, 25	1	1 1/2-11	1 7/16-12	20.5	20.5	55	36	58	611	16-24F42EDMLOS	16-24F42EDMLOSS	350	280	
28, 30, 32	1 1/4	1 1/4-11	1 11/16-12	25.0	25.0	50	34	54	430	20F42EDMLOS	20F42EDMLOSS	420	280	
28, 30, 32	1 1/4	3/4-14	1 11/16-12	26.0	16.0	46	37	53	344	20-12F42EDMLOS	20-12F42EDMLOSS	420	280	
28, 30, 32	1 1/4	1-11	1 11/16-12	26.0	20.0	46	39	57	403	20-16F42EDMLOS	20-16F42EDMLOSS	420	280	
28, 30, 32	1 1/4	1 1/2-11	1 11/16-12	26.0	26.0	55	36	58	575	20-24F42EDMLOS	20-24F42EDMLOSS	350	280	
35, 38	1 1/2	1 1/2-11	2-12	32.0	32.0	55	36	58	524	24F42EDMLOS	24F42EDMLOSS	350	280	
35, 38	1 1/2	1-11	2-12	32.0	20.0	55	41	59	359	24-16F42EDMLOS	24-16F42EDMLOSS	350	280	
35, 38	1 1/2	1 1/4-11	2-12	32.0	25.0	55	41	61	612	24-20F42EDMLOS	24-20F42EDMLOSS	350	280	

Product delivered with NBR TRAP seal. Replacement of TRAP seal is with a standard NBR O-ring – see page J73-J74.

Part numbers shown are part of our current manufacturing programme.

Imperial and metric parts may vary in hexagon dimensions.

$$\frac{\text{PN (bar)}}{10} = \text{PN (MPa)}$$

Do not create drawings from these dimensions, they are subject to change and ISO manufacturing allowances.