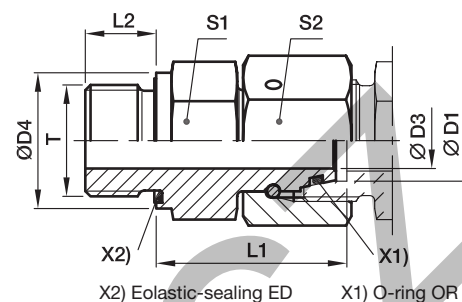


## EGE-R-ED Swivel connector

Male BSPP thread – ED-seal (ISO 1179) / EO 24° DKO swivel



| Series          | D1              | T         | D3      | D4   | L1   | L2   | S1 | S2  | Weight<br>g/1 piece | Order code*  | PN (bar) <sup>1)</sup> |     |     |
|-----------------|-----------------|-----------|---------|------|------|------|----|-----|---------------------|--------------|------------------------|-----|-----|
|                 |                 |           |         |      |      |      |    |     |                     |              | Steel                  | 71  |     |
| L <sup>3)</sup> | 06              | G 1/8 A   | 2.5     | 14   | 24.5 | 8    | 14 | 14  | 27                  | EGE06LRED    | 500                    | 315 |     |
|                 | 08              | G 1/4 A   | 4.0     | 19   | 29.5 | 12   | 19 | 17  | 28                  | EGE08LRED    | 500                    | 315 |     |
|                 | 10              | G 1/4 A   | 6.0     | 19   | 27.5 | 12   | 19 | 19  | 54                  | EGE10LRED    | 500                    | 315 |     |
|                 | 10              | G 3/8 A   | 6.0     | 22   | 29.0 | 12   | 22 | 19  | 70                  | EGE10LR3/8ED | 400                    | 315 |     |
|                 | 12              | G 3/8 A   | 8.0     | 22   | 34.0 | 12   | 22 | 22  | 95                  | EGE12LRED    | 400                    | 315 |     |
|                 | 12              | G 1/4 A   | 6.0     | 19   | 27.5 | 12   | 19 | 22  | 65                  | EGE12LR1/4ED | 400                    | 315 |     |
|                 | 12              | G 1/2 A   | 8.0     | 27   | 29.5 | 14   | 27 | 22  | 114                 | EGE12LR1/2ED | 400                    | 315 |     |
|                 | 15              | G 1/2 A   | 10.0    | 27   | 32.0 | 14   | 27 | 27  | 137                 | EGE15LRED    | 400                    | 315 |     |
|                 | 18              | G 1/2 A   | 13.0    | 27   | 31.5 | 14   | 27 | 32  | 143                 | EGE18LRED    | 400                    | 315 |     |
|                 | 18              | G 3/4 A   | 13.0    | 32   | 29.5 | 16   | 32 | 32  | 182                 | EGE18LR3/4ED | 250                    | 160 |     |
|                 | 22              | G 3/4 A   | 17.0    | 32   | 32.5 | 16   | 32 | 36  | 200                 | EGE22LRED    | 250                    | 160 |     |
|                 | 28              | G 1 A     | 22.0    | 40   | 35.0 | 18   | 41 | 41  | 289                 | EGE28LRED    | 250                    | 160 |     |
|                 | 35              | G 1 1/4 A | 28.0    | 50   | 42.5 | 20   | 50 | 50  | 500                 | EGE35LRED    | 250                    | 160 |     |
|                 | 42              | G 1 1/2 A | 34.0    | 55   | 46.5 | 22   | 55 | 60  | 718                 | EGE42LRED    | 250                    | 160 |     |
|                 | S <sup>4)</sup> | 06        | G 1/4 A | 2.5  | 19   | 27.0 | 12 | 19  | 17                  | 53           | EGE06SRED              | 800 | 630 |
|                 |                 | 08        | G 1/4 A | 4.0  | 19   | 29.5 | 12 | 19  | 19                  | 64           | EGE08SRED              | 800 | 630 |
| 10              |                 | G 3/8 A   | 6.0     | 22   | 32.0 | 12   | 22 | 22  | 93                  | EGE10SRED    | 800                    | 630 |     |
| 12              |                 | G 3/8 A   | 8.0     | 22   | 34.0 | 12   | 22 | 24  | 100                 | EGE12SRED    | 630                    | 630 |     |
| 12              |                 | G 1/4 A   | 5.0     | 19   | 31.5 | 12   | 19 | 24  | 140                 | EGE12SR1/4ED | 630                    | 630 |     |
| 12              |                 | G 1/2 A   | 8.0     | 27   | 35.0 | 14   | 27 | 24  | 140                 | EGE12SR1/2ED | 630                    | 630 |     |
| 16              |                 | G 1/2 A   | 11.0    | 27   | 37.0 | 14   | 27 | 30  | 170                 | EGE16SRED    | 630                    | 400 |     |
| 20              |                 | G 3/4 A   | 14.0    | 32   | 43.0 | 16   | 32 | 36  | 273                 | EGE20SRED    | 420                    | 400 |     |
| 25              |                 | G 1 A     | 18.0    | 40   | 48.0 | 18   | 41 | 46  | 493                 | EGE25SRED    | 420                    | 400 |     |
| 30              |                 | G 1 1/4 A | 23.0    | 50   | 51.0 | 20   | 50 | 50  | 691                 | EGE30SRED    | 420                    | 400 |     |
| 38              | G 1 1/2 A       | 30.0      | 55      | 60.0 | 22   | 55   | 60 | 934 | EGE38SRED           | 420          | 315                    |     |     |

<sup>1)</sup> Pressure shown = item deliverable

<sup>3)</sup> L = light series; <sup>4)</sup> S = heavy series

$$\frac{\text{PN (bar)}}{10} = \text{PN (MPa)}$$

Information on ordering alternative sealing materials see page 17.

| Order code suffixes |                             |             |   |
|---------------------|-----------------------------|-------------|---|
| Material            | Suffix surface and material | Example     | Standard sealing material (no additional suffix needed) |
| Steel               | CF                          | EGE16SREDCF | NBR   |
| Stainless Steel     | 71                          | EGE16SRED71 | VIT   |

\*Please add the **suffixes** below according to the material/surface required.