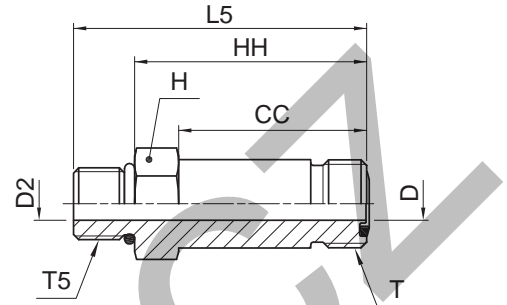


### FF5OMLO Extended male stud connector

O-Lok® ORFS tube end / Male UN/UNF thread – O-ring (ISO 11926)  
 SAE 521720 (Previously 520122)



Tube O.D.		Thread UN/UNF-2A T5	Thread UN/UNF-2A T	CC mm	D mm	D2 mm	H mm	HH mm	L5 mm	Weight (steel) g/1 piece	O-Lok®		PN (bar)	
mm	in.										Steel	Stainless Steel	S	SS
6	1/4	7/16-20	9/16-18	34	4.5	4.5	16	42	53	51	<b>4 FF5OLO-S</b>	<b>4FF5OMLOSS</b>	630	630
8, 10	5/16, 3/8	9/16-18	11/16-16	37	6.5	6.5	19	46	58	79	<b>6 FF5OLO-S</b>	<b>6FF5OMLOSS</b>	630	630
12	1/2	3/4-16	13/16-16	45	9.5	9.5	22	54	68	125	<b>8 FF5OLO-S</b>	<b>8FF5OMLOSS</b>	630	630
14, 15, 16	5/8	7/8-14	1-14	53	12.5	12.5	27	64	80	212	<b>10 FF5OLO-S</b>	<b>10FF5OMLOSS</b>	420	420
18, 20	3/4	1 1/16-12	1 3/16-12	64	15.5	15.5	32	77	96	309	<b>12 FF5OLO-S</b>	<b>12FF5OMLOSS</b>	420	420
22, 25	1	1 5/16-12	1 7/16-12	73	20.5	20.5	38	87	105	435	<b>16 FF5OLO-S</b>	<b>16FF5OMLOSS</b>	420	420
28, 30, 32	1 1/4	1 5/8-12	1 11/16-12	86	26.0	26.0	48	102	121	818	<b>20 FF5OLO-S</b>	<b>20FF5OMLOSS</b>	420	280
35, 38	1 1/2	1 7/8-12	2-12	97	32.0	32.0	54	115	134	1430	<b>24 FF5OLO-S</b>	<b>24FF5OMLOSS</b>	350	280

Product delivered with NBR TRAP seal. Replacement of TRAP seal is with a standard NBR O-ring – see page J73-J74.

Part numbers shown are part of our current manufacturing programme.

Imperial and metric parts may vary in hexagon dimensions.

$$\frac{\text{PN (bar)}}{10} = \text{PN (MPa)}$$

Do not create drawings from these dimensions, they are subject to change and ISO manufacturing allowances.