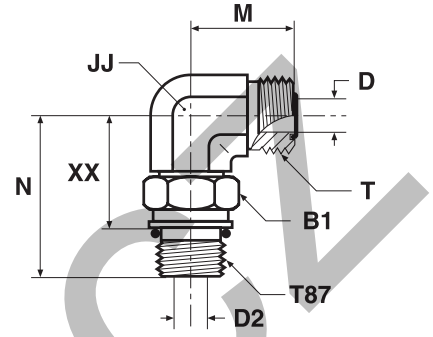


C870MLO Male stud elbow

O-Lok® ORFS tube end / Male metric thread – O-ring (ISO 6149-2)
 SAE 52M0287 ISO 8434-3 SDE



Tube O.D.		Thread metric T87	Thread UN/UNF-2B T	B1 mm	D mm	D2 mm	JJ* mm	M mm	N mm	XX mm	Weight (steel) g/1 piece	O-Lok®		PN (bar)	
mm	in.											Steel	Stainless Steel	S	SS
6	1/4	M 10×1.0	9/16-18	14	4.5	3	14	22	31	21	50	4M10C870MLOS	4M10C870MLOSS	420	420
6	1/4	M 12×1.5	9/16-18	17	4.5	4	14	22	33	21	52	4M12C870MLOS	4M12C870MLOSS	420	420
6	1/4	M 14×1.5	9/16-18	19	4.5	6	14	24	36	24	55	4M14C870MLOS	4M14C870MLOSS	420	420
8, 10	5/16, 3/8	M 12×1.5	11/16-16	17	6.5	4	19	25	36	24	60	6M12C870MLOS	6M12C870MLOSS	420	420
8, 10	5/16, 3/8	M 14×1.5	11/16-16	19	6.5	6	19	25	36	24	60	6M14C870MLOS	6M14C870MLOSS	420	420
8, 10	5/16, 3/8	M 16×1.5	11/16-16	22	6.5	7	19	25	38	24	65	6M16C870MLOS	6M16C870MLOSS	420	420
8, 10	5/16, 3/8	M 18×1.5	11/16-16	24	6.5	9	19	27	41	26	130	6M18C870MLOS	6M18C870MLOSS	420	420
12	1/2	M 14×1.5	13/16-16	19	9.5	6	19	28	36	24	150	8M14C870MLOS	8M14C870MLOSS	420	420
12	1/2	M 16×1.5	13/16-16	22	9.5	7	19	28	38	25	92	8M16C870MLOS	8M16C870MLOSS	420	420
12	1/2	M 18×1.5	13/16-16	24	9.5	9	19	28	41	26	161	8M18C870MLOS	8M18C870MLOSS	420	420
12	1/2	M 22×1.5	13/16-16	27	9.5	12	27	31	49	33	200	8M22C870MLOS	8M22C870MLOSS	420	420
14, 15, 16	5/8	M 18×1.5	1-14	24	12.5	9	27	33	48	33	190	10M18C870MLOS	10M18C870MLOSS	420	420
14, 15, 16	5/8	M 22×1.5	1-14	27	12.5	12	27	33	49	33	214	10M22C870MLOS	10M22C870MLOSS	420	420
18, 20	3/4	M 22×1.5	1 3/16-12	27	15.5	12	30	37	50	34	390	12M22C870MLOS	12M22C870MLOSS	420	420
18, 20	3/4	M 27×2.0	1 3/16-12	32	15.5	15	30	37	56	37	440	12M27C870MLOS	12M27C870MLOSS	420	420
22, 25	1	M 33×2.0	1 7/16-12	41	20.5	20	36	42	59	41	501	16M33C870MLOS	16M33C870MLOSS	420	420
28, 30, 32	1 1/4	M 33×2.0	1 11/16-12	41	26.0	20	41	45	62	43	530	20M33C870MLOS	20M33C870MLOSS	350	280
28, 30, 32	1 1/4	M 42×2.0	1 11/16-12	50	26.0	26	41	45	63	44	561	20M42C870MLOS	20M42C870MLOSS	280	280
35, 38	1 1/2	M 48×2.0	2-12	55	32.0	32	50	49	72	50	684	24M48C870MLOS	24M48C870MLOSS	280	280

Product delivered with NBR TRAP seal. Replacement of TRAP seal is with a standard NBR O-ring – see page J73-J74.

Part numbers shown are part of our current manufacturing programme.

Imperial and metric parts may vary in hexagon dimensions.

$$\frac{PN \text{ (bar)}}{10} = PN \text{ (MPa)}$$

Do not create drawings from these dimensions, they are subject to change and ISO manufacturing allowances.

*JJ may vary in stainless steel