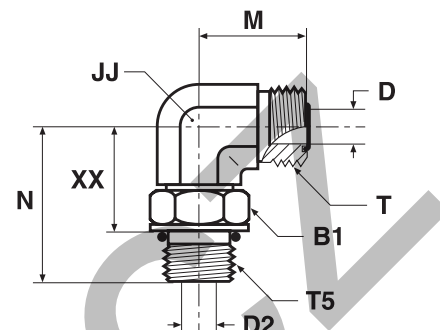


C50MLO Male stud elbow

O-Lok® ORFS tube end / Male UN/UNF thread – O-ring (ISO 11926)
SAE 520220



Tube O.D.		Thread UN/UNF-2A T5	Thread UN/UNF-2A T	B1 mm	D mm	D2 mm	JJ* mm	M mm	N mm	XX mm	Weight (steel) g/1 piece	O-Lok®		PN (bar)	
mm	in.											Steel	Stainless Steel	S	SS
6	1/4	7/16-20	9/16-18	17	4.5	4.5	14	22	33	21	53	4C50MLOS	4C50MLOSS	420	420
6	1/4	9/16-18	9/16-18	19	4.5	7.5	19	24	37	24	66	4-6C50MLOS	4-6C50MLOSS	420	420
8, 10	3/8	9/16-18	11/16-16	19	6.5	7.5	19	25	37	24	68	6C50MLOS	6C50MLOSS	420	420
8, 10	3/8	7/16-20	11/16-16	16	6.5	4.5	19	25	35	24	57	6-4 C50LO-S	6-4C50MLOSS	420	420
8, 10	3/8	1/2-20	11/16-16	18	6.5	6.0	19	25	35	23	94	6-5 C50LO-S	6-5C50MLOSS	420	420
8, 10	3/8	3/4-16	11/16-16	24	6.5	10.0	19	26	41	26	105	6-8C50MLOS	6-8C50MLOSS	420	420
8, 10	3/8	7/8-14	11/16-16	27	6.5	12.5	22	29	50	33	196	6-10 C50LO-S	6-10C50MLOSS	420	420
8, 10	3/8	1 1/16-12	11/16-16	35	6.5	15.5	27	33	55	36	250	6-12 C50LO-S	6-12C50MLOSS	420	420
12	1/2	3/4-16	13/16-16	24	9.5	10.0	19	28	41	26	164	8C50MLOS	8C50MLOSS	420	420
12	1/2	1/2-20	13/16-16	18	9.5	6.0	19	28	35	23	101	8-5 C50LO-S	8-5C50MLOSS	420	420
12	1/2	9/16-18	13/16-16	19	9.5	7.5	19	28	37	24	81	8-6 C50LO-S	8-6C50MLOSS	420	420
12	1/2	7/8-14	13/16-16	27	9.5	12.5	27	31	50	33	187	8-10C50MLOS	8-10C50MLOSS	420	420
12	1/2	1 1/16-12	13/16-16	36	9.5	15.5	30	34	55	36	201	8-12C50MLOS	8-12C50MLOSS	420	420
14, 15, 16	5/8	7/8-14	1-14	27	12.5	12.5	27	33	50	33	214	10C50MLOS	10C50MLOSS	420	420
14, 15, 16	5/8	3/4-16	1-14	24	12.5	10.0	27	33	46	32	175	10-8 C50LO-S	10-8C50MLOSS	420	420
14, 15, 16	5/8	1 1/16-12	1-14	35	12.5	15.5	30	36	55	36	248	10-12 C50LO-S	10-12C50MLOSS	420	420
18, 20	3/4	1 1/16-12	1 3/16-12	36	15.5	15.5	30	37	55	36	442	12C50MLOS	12C50MLOSS	420	420
18, 20	3/4	3/4-16	1 3/16-12	24	15.5	10.0	30	37	47	32	325	12-8 C50LO-S	12-8C50MLOSS	420	420
18, 20	3/4	7/8-14	1 3/16-12	27	15.5	12.5	30	37	51	34	296	12-10C50MLOS	12-10C50MLOSS	420	420
18, 20	3/4	1 5/16-12	1 3/16-12	41	15.5	21.5	36	41	60	41	346	12-16 C50LO-S	12-16C50MLOSS	380	380
25	1	1 5/16-12	1 7/16-12	41	20.5	21.5	36	42	60	41	502	16 C50LO-S	16C50MLOSS	380	380
25	1	1 1/16-12	1 7/16-12	35	20.5	15.5	36	42	59	40	473	16-12 C50LO-S	16-12C50MLOSS	420	420
25	1	1 5/8-12	1 7/16-12	48	20.5	27.5	41	45	62	43	580	16-20 C50LO-S	16-20C50MLOSS	280	280
28, 30, 32	1 1/4	1 5/8-12	1 11/16-12	48	26.0	27.5	41	45	62	43	563	20 C50LO-S	20C50MLOSS	280	280
28, 30, 32	1 1/4	1 5/16-12	1 11/16-12	41	26.0	21.5	41	45	62	43	563	20-16 C50LO-S	20-16C50MLOSS	380	280
28, 30, 32	1 1/4	1 7/8-12	1 11/16-12	54	26.0	33.5	48	49	66	47	764	20-24 C50LO-S	20-24C50MLOSS	280	280
35, 38	1 1/2	1 7/8-12	2-12	54	32.0	33.5	48	49	66	47	689	24 C50LO-S	24C50MLOSS	280	280
35, 38	1 1/2	1 5/8-12	2-12	48	32.0	26.0	48	49	66	47	644	24-20 C50LO-S	24-20C50MLOSS	280	280

Product delivered with NBR TRAP seal. Replacement of TRAP seal is with a standard NBR O-ring – see page J73-J74.

Part numbers shown are part of our current manufacturing programme.

Imperial and metric parts may vary in hexagon dimensions.

$$\frac{\text{PN (bar)}}{10} = \text{PN (MPa)}$$

Do not create drawings from these dimensions, they are subject to change and ISO manufacturing allowances.

*JJ may vary in stainless steel