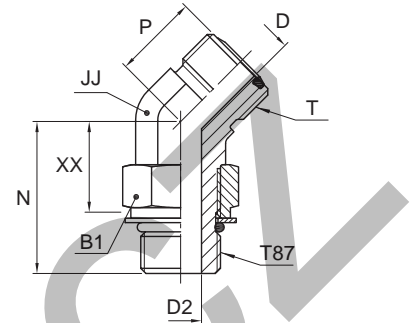


V87OMLO 45° male stud elbow

O-Lok® ORFS tube end / Male metric thread – O-ring (ISO 6149-2)
 SAE 52M0387 ISO 8434-3 SDE45



Tube O.D.		Thread metric T87	Thread UN/UNF-2A T	B1 mm	D mm	D2 mm	JJ* mm	P mm	N mm	XX mm	Weight (steel) g/1 piece	O-Lok®		PN (bar)	
mm	in.											Steel	Stainless Steel	S	SS
6	1/4	M 12×1.5	9/16-18	17	4.5	4	14	16	30	19	44	4M12V87OMLOS	4M12V87OMLOSS	420	420
8, 10	3/8	M 16×1.5	11/16-16	22	6.5	7	19	19	33	20	82	6M16V87OMLOS	6M16V87OMLOSS	420	420
12	1/2	M 18×1.5	13/16-16	24	9.5	9	19	20	37	22	110	8M18V87OMLOS	8M18V87OMLOSS	420	420
14, 15, 16	5/8	M 22×1.5	1-14	27	12.5	12	27	23	44	29	190	10M22V87OMLOS	10M22V87OMLOSS	420	420
18, 20	3/4	M 27×2.0	1 3/16-12	32	15.5	15	30	26	50	31	288	12M27V87OMLOS	12M27V87OMLOSS	420	420
25	1	M 33×2.0	1 7/16-12	41	20.5	20	36	30	52	33	300	16M33V87OMLOS	16M33V87OMLOSS	420	420
28, 30, 32	1 1/4	M 42×2.0	1 11/16-12	50	26.0	26	41	32	54	35	444	20M42V87OMLOS	20M42V87OMLOSS	280	280
35, 38	1 1/2	M 48×2.0	2-12	55	32.0	32	50	37	56	35	569	24M48V87OMLOS		280	—

Product delivered with NBR TRAP seal. Replacement of TRAP seal is with a standard NBR O-ring – see page J73-J74.

Part numbers shown are part of our current manufacturing programme.

Imperial and metric parts may vary in hexagon dimensions.

$$\frac{PN \text{ (bar)}}{10} = PN \text{ (MPa)}$$

Do not create drawings from these dimensions, they are subject to change and ISO manufacturing allowances.

*JJ may vary in stainless steel