

Tube clamps series O

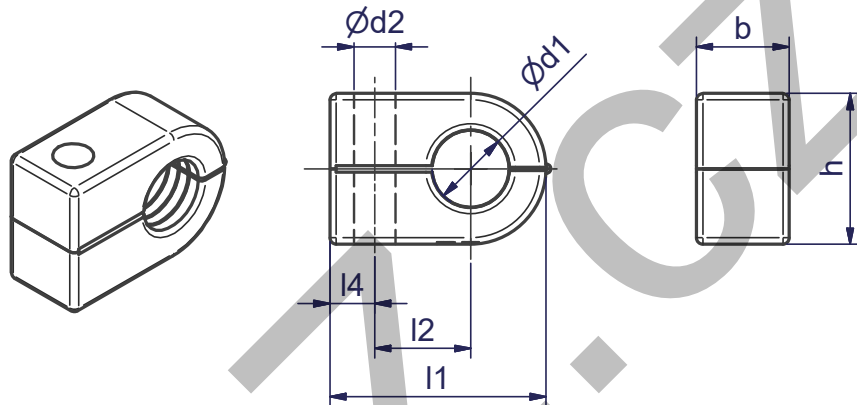
Order codes for clamps:

Material	Interior surface	Order code
Polypropylene	smooth	ROP
Polyamide	smooth	RON

Packing standard 100 pieces.

Areas of Application:

- pneumatics
 - automotive technology
 - mechanical engineering
 - measurement and control
 - naval technologie
- also suitable for cables and hoses.



Clamp-size	O.D. mm	Tube ϕ d1		Order code		l1	l2	l4	b	H	ϕ d2	
		Tube NB	Inch	Polypropylene ROP	Polyamide RON							
1	6.0		1/4	ROP106X	RON106X	23	9	7	14.5	13.5	6.5	
	6.4			ROP106.4X	RON106.4X							
	8.0			ROP108X	RON108X							
2	8.0	G 1/8	3/8	ROP208X	RON208X	27	11	7	14.5	18.5	6.5	
	9.5				ROP209.5X							RON209.5X
	10.0				ROP210X							RON210X
	12.0				ROP212X							RON212X
	12.7				ROP212.7X							RON212.7X
3	10.0	G 1/8	1/2	ROP310X	RON310X	34	15	7	14.5	23.5	6.5	
	12.0				ROP312X							RON312X
	12.7				ROP312.7X							RON312.7X
	13.5	G 1/4		ROP313.5X	RON313.5X							
	14.0			ROP314X	RON314X							
	15.0			ROP315X	RON315X							
	16.0			ROP316X	RON316X							
4	14.0	G 3/8	5/8	ROP414X	RON414X	40	19	6	14.5	30.5	6.5	
	15.0				ROP415X							RON415X
	16.0				ROP416X							RON416X
	17.2				ROP417.2X							RON417.2X
	18.0				ROP418X							RON418X
	19.0	G 1/2	3/4	ROP419X	RON419X							
	20.0				ROP420X							RON420X
	21.3				ROP421.3X							RON421.3X
	22.0				ROP422X							RON422X

Double-Tube clamps series O

Order codes for clamps:

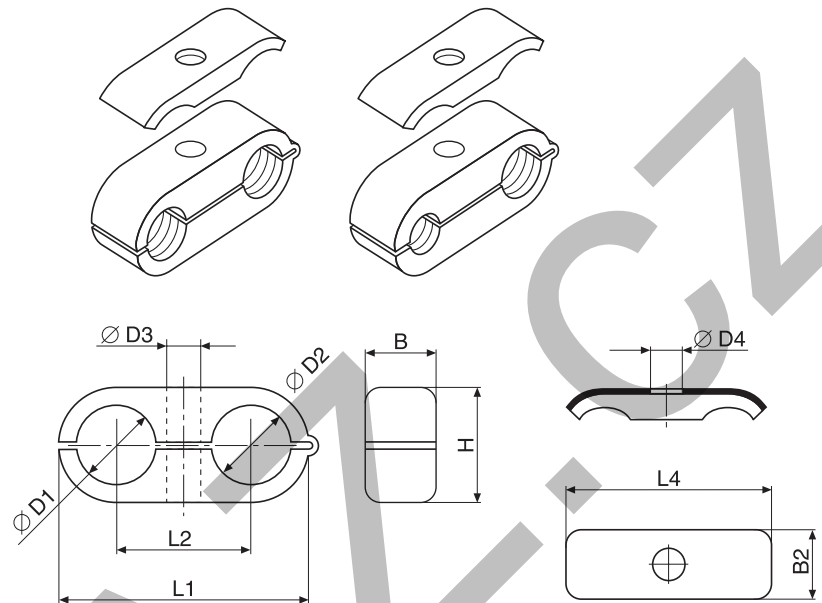
Material	Interior surface	Order code
Polypropylene	smooth	ROPD
Polyamide	smooth	ROND

Different diameter on request.

Packing standard 100 pieces.

Areas of Application:

- pneumatics
 - automotive technology
 - mechanical engineering
 - measurement and control
 - machine tool industry
- also suitable for cables and hoses.



Clamp-size	Tube O.D. D1/D2			Order code		Order code Cover plate DPO	L1	L2	B	H	Ø D3	L4	B2	Ø D4	
	mm	Tube NB	Inch	Polypropylene ROPD	Polyamide ROND										
1	6.0		1/4	ROPD106X	ROND106X	DPO1X¹⁾ DPO14571X	32	18	14.5	13.5	6.5	29.0	16.3	6.5	
	6.4			ROPD106.4X	ROND106.4X										
	8.0			ROPD108X	ROND108X										
2	8.0	1/8	3/8	ROPD208X	ROND208X	DPO2X¹⁾ DPO24571X	41	22	14.5	18.5	6.5	40.0	16.3	6.5	
	9.5				ROPD209.5X										ROND209.5X
	10.0				ROPD210X										ROND210X
	12.0			ROPD212X	ROND212X										
	12.7			ROPD212.7X	ROND212.7X										
3	10.0	1/8	1/2	ROPD310X	ROND310X	DPO3X¹⁾ DPO34571X	54	30	14.5	23.5	6.5	50.5	16.5	6.5	
	12.0				ROPD312X										ROND312X
	12.7		ROPD312.7X	ROND312.7X											
	13.5	1/4	ROPD313.5X	ROND313.5X											
	14.0			ROPD314X	ROND314X										
	15.0			ROPD315X	ROND315X										
	16.0		ROPD316X	ROND316X											
4	14.0	3/8	5/8	ROPD414X	ROND414X	DPO4X¹⁾ DPO44571X	69	38	14.5	30.5	6.5	63.0	16.5	6.5	
	15.0				ROPD415X										ROND415X
	16.0				ROPD416X										ROND416X
	17.2				ROPD417.2X										ROND417.2X
	18.0				ROPD418X										ROND418X
	19.0	3/4	ROPD419X	ROND419X											
	20.0			ROPD420X	ROND420X										
	21.3			ROPD421.3X	ROND421.3X										
	22.0		ROPD422X	ROND422X											

¹⁾ Material = Steel, zinc plated, Cr(VI)-free