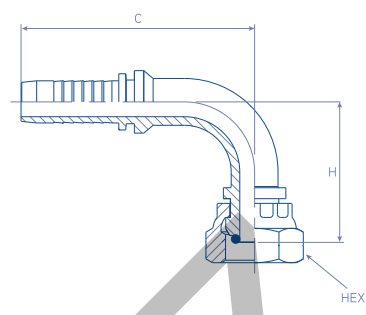




90° Swept Female BSP Parallel Pipe with O-ring Swivel (DKOR 90°)



23.3192.

ISO 12151-6 / ISO 8434-6 / BS 5200

REFERENCE	hose dash	hose Ø inch	thread inch	C cut off mm	H mm	HEX mm
23.3192.0404	-4	1/4"	1/4" - 19	27.6	27,5	19
23.3192.0606	-6	3/8"	3/8" - 19	33.0	31,5	22
23.3192.0808	-8	1/2"	1/2" - 14	39.5	38,5	27
23.3192.1010	-10	5/8"	5/8" - 14	54.0	50,0	27
23.3192.1212	-12	3/4"	3/4" - 14	55.5	55,0	32
23.3192.1216	-12	3/4"	1" - 11	60.5	64,0	38
23.3192.1616	-16	1"	1" - 11	71.5	71,0	38
23.3192.1620	-16	1"	1 1/4" - 11	79.5	79,5	50
23.3192.2020	-20	1 1/4"	1 1/4" - 11	85.5	77,0	50
23.3192.2024	-20	1 1/4"	1 1/2" - 11	91.5	92,0	55
23.3192.2424	-24	1 1/2"	1 1/2" - 11	102.0	100,0	55
23.3192.2432	-24	1 1/2"	2" - 11	110.0	110,0	70
23.3192.3232	-32	2"	2" - 11	132.3	128,0	70

MATERIAL: Carbon Steel

FINISH: Chromium-(VI) Free plating / ROHS compliant

VERSIONS: Stainless Steel (add an 'S' at the end of the REFERENCE)

NOTES: On larger sizes nuts can be supplied with Trust-Wire Nut (W)