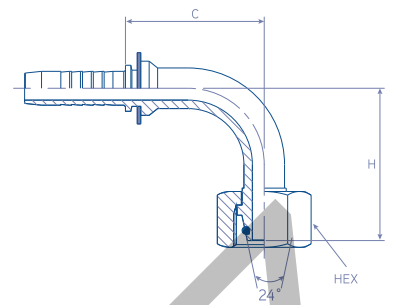




90° Swept Female Metric Light Serie 24° Cone Seat Swivel (DKOL 90)



23.5093.

ISO 12151-2 / ISO 8434-1

REFERENCE	hose dash	hose Ø inch	thread inch	d tube mm	C cut off mm	H mm	HEX mm
23.5093.0312	-3	3/16"	M12 x 1.5	6	30.0	30.0	14
23.5093.0412	-4	1/4"	M12 x 1.5	6	30.7	30.0	14
23.5093.0414	-4	1/4"	M14 x 1.5	8	28.0	30.5	17
23.5093.0416	-4	1/4"	M16 x 1.5	10	28.2	33.0	19
23.5093.0418	-4	1/4"	M18 x 1.5	12	35.0	36.0	22
23.5093.0516	-5	5/16"	M16 x 1.5	10	30.5	33.0	19
23.5093.0518	-5	5/16"	M18 x 1.5	12	36.0	36.0	22
23.5093.0616	-6	3/8"	M16 x 1.5	10	34.0	36.0	19
23.5093.0618	-6	3/8"	M18 x 1.5	12	36.0	36.0	22
23.5093.0622	-6	3/8"	M22 x 1.5	15	37.5	38.0	27
23.5093.0822	-8	1/2"	M22 x 1.5	15	38.2	40.5	27
23.5093.0826	-8	1/2"	M26 x 1.5	18	48.0	47.0	32
23.5093.1026	-10	5/8"	M26 x 1.5	18	54.0	52.0	32
23.5093.1027	-10	5/8"	M27 x 1.5	18	54.0	52.0	32
23.5093.1030	-10	5/8"	M30 x 2.0	22	55.5	57.0	36
23.5093.1230	-12	3/4"	M30 x 2.0	22	55.5	57.0	36
23.5093.1236	-12	3/4"	M36 x 2.0	28	55.5	57.0	41
23.5093.1636	-16	1"	M36 x 2.0	28	78.6	70.0	41
23.5093.2045	-20	1,1/4"	M45 x 2.0	35	85.5	80.0	50
23.5093.2452	-24	1,1/2"	M52 x 2.0	42	116.3	98.0	60

MATERIAL: Carbon Steel

FINISH: Chromium-(VI) Free plating /
ROHS compliant

VERSIONS: Stainless Steel (add an 'S'
at the end of the REFERENCE)