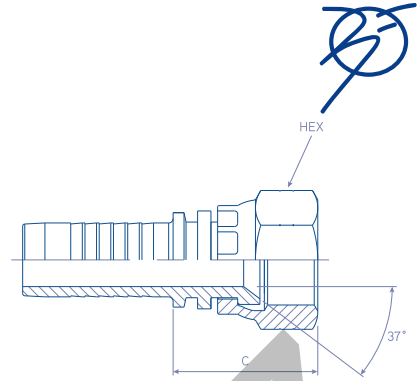


# Female JIC 37° Swivel (DKJ)

23.4012.

ISO 12151-5 / ISO 8434-2 / SAE J516 / SAE J514



REFERENCE	hose dash	hose Ø inch	thread inch	C cut off mm	HEX mm
23.4012.0304	-3	3/16"	7/16" - 20	15.0	14
23.4012.0404	-4	1/4"	7/16" - 20	14.7	14
23.4012.0405	-4	1/4"	1/2" - 20	15.2	17
23.4012.0406	-4	1/4"	9/16" - 18	15.2	19
23.4012.0505	-5	5/16"	1/2" - 20	15.5	17
23.4012.0506	-5	5/16"	9/16" - 18	15.5	19
23.4012.0606	-6	3/8"	9/16" - 18	15.5	19
23.4012.0608	-6	3/8"	3/4" - 16	17.5	22
23.4012.0610	-6	3/8"	7/8" - 14	18.5	27
23.4012.0806	-8	1/2"	9/16" - 18	16.0	19
23.4012.0808	-8	1/2"	3/4" - 16	18.5	22
23.4012.0810	-8	1/2"	7/8" - 14	19.0	27
23.4012.0812	-8	1/2"	1.1/16" - 12	20.5	32
23.4012.1008	-10	5/8"	3/4" - 16	19.0	22
23.4012.1010	-10	5/8"	7/8" - 14	19.5	27
23.4012.1012	-10	5/8"	1.1/16" - 12	21.0	32
23.4012.1210	-12	3/4"	7/8" - 14	19.7	27
23.4012.1212	-12	3/4"	1.1/16" - 12	21.2	32
23.4012.1214	-12	3/4"	1.3/16" - 12	21.2	38
23.4012.1216	-12	3/4"	1.5/16" - 12	21.7	38
23.4012.1612	-16	1"	1.1/16" - 12	22.5	32
23.4012.1616	-16	1"	1.5/16" - 12	22.5	38
23.4012.1620	-16	1"	1.5/8" - 12	23.5	50
23.4012.2020	-20	1.1/4"	1.5/8" - 12	25.0	50
23.4012.2024	-20	1.1/4"	1.7/8" - 12	26.0	57
23.4012.2424	-24	1.1/2"	1.7/8" - 12	26.0	57
23.4012.2432	-24	1.1/2"	2.1/2" - 12	30.5	75
23.4012.3232	-32	2"	2.1/2" - 12	31.5	75

**MATERIAL:** Carbon Steel

**FINISH:** Chromium-(VI) Free plating /  
ROHS compliant

**VERSIONS:** Stainless Steel (add an 'S'  
at the end of the REFERENCE)

**NOTES:** On larger sizes nuts can  
be supplied with Trust-Wire Nut (W)