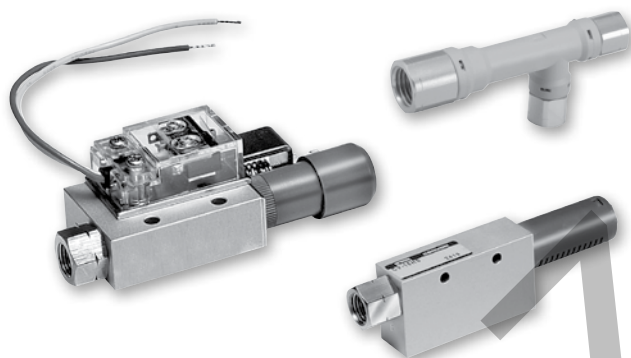


Parker Inline Single Stage Vacuum Generators is a compact design offering multiple vacuum flow ranges in 3 styles. These Generators are meant to be mounted near the vacuum application for improved vacuum response time. A Normally Open or Normally Closed 3 way valve can be used to control the supply pressure to obtain up to a 0.91 bar degree of vacuum.

### Features

- **MCA:**
  - light weight vacuum generator
  - vacuum flow rates to 35 l/mn
- **CV:**
  - basic aluminum body generator with exhaust muffler
  - vacuum flow rates to 350 l/mn
  - degree of vacuum to 0.91 bar
- **CV-CK**
  - basic aluminum body generator with mechanical vacuum switch
  - vacuum flow rates to 165 l/mn
  - degree of vacuum to 0.91 bar



### Specifications

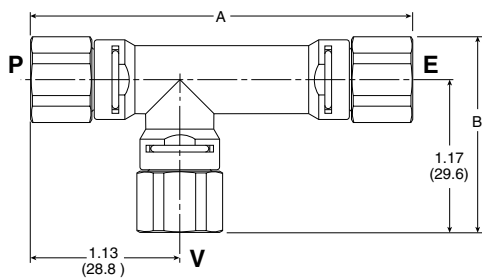
<b>Media</b>	Non-lubricated air, non-corrosive gases
<b>Operating pressure</b>	1 to 8 bar (14 to 114 PSI)
<b>Operating temperature</b>	0° to 50°C (MCA, CV) - 0° to 60°C (CV, CK)
<b>Material</b>	Polycarbonate, Aluminum fittings (MCA) Body: Aluminum (CV, CV-CK) Nozzle: Nickel plated brass (CV, CV-CK)
<b>CV-CK Switch</b>	Setting range: 0,2 to 0,5 bar, accuracy ± 0,05 bar Hysteresis: 37 to 132 mbar Switch output: N.O., AC125V; 5A, AC250V: 3A, DC250V: 0.2A

### Model numbers

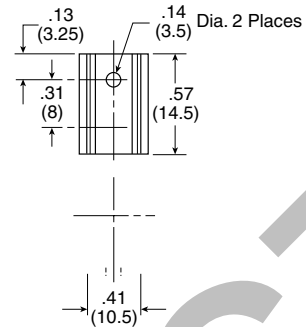
Symbol	Port size			Max. vacuum flow l/mn	Air consumption l/mn	Max. degree of vacuum inHg	Part number	
	Pressure	Vacuum	Exhaust				BSPF	NPT
	1/8	1/8	1/4	47.6	47.6	24	MCA10HSG1G1G2	MCA10HSN1N1N2
	1/4	1/4	1/4	79.6	79.6	24	MCA13HSG1G1G2	MCA13HSN1N1N2
	1/8	1/8	Muffler	6	13	27	CV05HSG	CV05HSN
	1/8	1/8	Muffler	9	13	17	CV05LSG	CV05LSN
	1/8	1/8	Muffler	27	43.9	27	CV10HSG	CV10HSN
	1/8	1/8	Muffler	36	43.9	17	CV10LSG	CV10LSN
	1/4	3/8	Muffler	63	100	27	CV15HSG	CV15HSN
	1/4	3/8	Muffler	95	100	17	CV15LSG	CV15LSN
	1/4	3/8	Muffler	110	180	27	CV20HSG	CV20HSN
	1/4	1/2	Muffler	165	180	17	CV20LSG	CV20LSN
	3/8	1/2	Muffler	160	265	27	CV25HSG	CV25HSN
	3/8	1/2	Muffler	250	265	17	CV25LSG	CV25LSN
	1/2	3/4	Muffler	225	385	27	CV30AHSG	CV30AHSN
	1/2	3/4	Muffler	350	385	17	CV30ALSG	CV30ALSNS
	1/8	1/8	—	27	44	27	CV10HSCKG	CV10HSCKN
	1/4	1/4	—	63	100	27	CV15HSCKG	CV15HSCKN
	1/4	3/8	—	110	180	27	CV20HSCKG	CV20HSCKN

**Dimensions**

**MCA**



**MCA Mounting bracket: MCA-B**

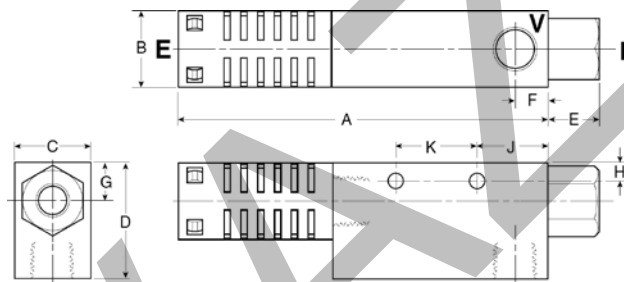


**MCA\*\*\*\*N1N1N2**

**Dimensions (mm)**

Item	A	B
MCA10HS*****	70	29.5
MCA13HS*****	70	29.5

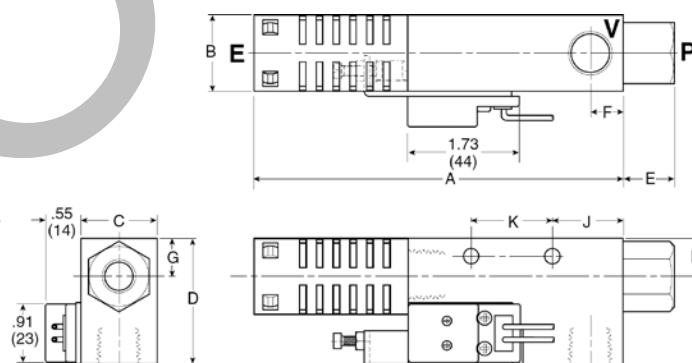
**CV**



**Dimensions (mm)**

Item	A	B	C	D	E	F	G	H	J	K
CV05HS/LS	81	18.5	16	33	10	8	10	4.5	14	20
CV10HS/LS	81	18.5	16	33	10	8	10	4.5	14	20
CV15HS/LS	108.5	20	20	35	15	10	11	5	20	25
CV20HS/LS	145.5	30	30	40	20	13	15	7	28	32
CV25HS/LS	196	40	40	60	17	16	20	5.5	20	50
CV30AHS/ALS	214	40	40	60	20	20	20	5.5	33	50

**CV-CK**



**Dimensions (mm)**

Item	A	B	C	D	E	F	G	H	J	K
CV10HS/LSCK	81	18.5	16	33	10	8	10	4.5	4.2	20
CV15HS/LSCK	108.5	20	20	35	15	10	11	5	4.5	25
CV20HS/LSCK	145.5	30	30	40	20	13	15	7	6	32